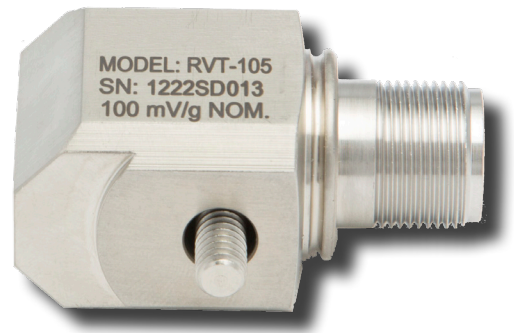


Acceleration sensor

RVT-105 Code: 600-1105

Key features

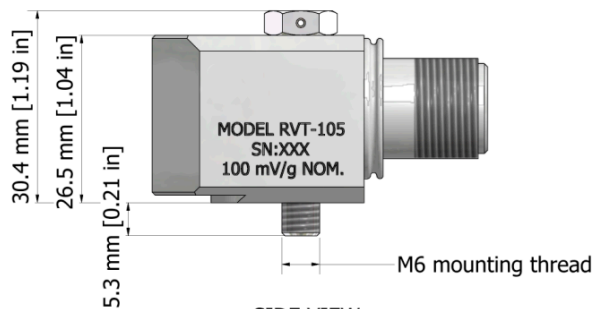
- Rugged design
- Corrosion resistant
- Hermetic seal
- ESD protection
- Reverse wiring protection
- EMI/RFI shielded
- Side exit connector
- Case isolated



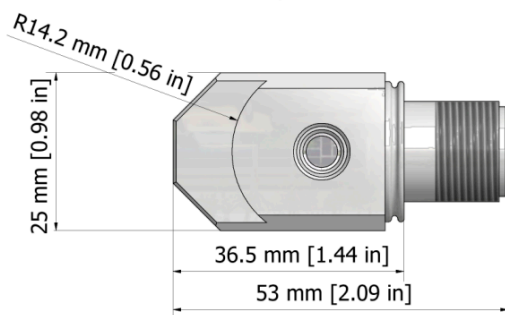
RVT-105 is a high quality low profile industrial accelerometer for mechanical condition monitor. It can be used with on-line systems as well as portable data collectors.

RVT-105 is suitable for monitoring of most machinery with different speed ranges in e.g. following industries:

- Pulp and Paper
- Mining and mineral industry
- Power generation
- Steel industry



SIDE VIEW

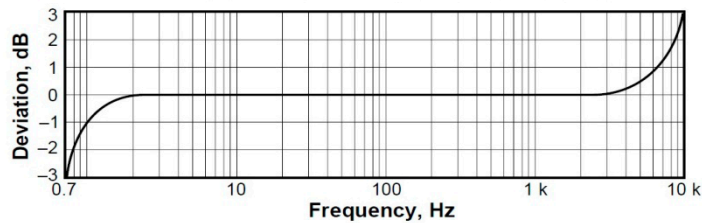


BOTTOM VIEW

RVT-105 specifications

Dynamic	Sensitivity, $\pm 10\%$, 25 °C	100 mV/g
	Acceleration range	80 g peak
	Amplitude nonlinearity	1%
	Frequency response	1...5 000 Hz
	$\pm 10\%$	0.7...10 000 Hz
	± 3 dB	
	Resonance frequency, mounted, min.	22 kHz
	Transverse sensitivity, max.	5% of axial
Temperature response	$\pm 5\%$	
Electrical	Power requirement	
	Voltage source	18...30 VDC
	Bias current	2...10 mA
	Output impedance, max.	100 Ω
	Bias output voltage	8...14 VDC
Grounding	Case isolated, internally shielded	
Environmental	Temperature range	-50...+120 °C
	Vibration limit	500 g
	Shock limit, min.	5 000 g
	Sealing	Hermetic
Physical	Sensing element design	PZT ceramic, shear
	Weight	145 g
	Case material	316L stainless steel
	Mounting	M6 captive screw
	Output connector	2 pin, MIL-C-5015 style
	Pin A	Signal/power
Pin B	Common	

TYPICAL FREQUENCY RESPONSE



TYPICAL TEMPERATURE RESPONSE

