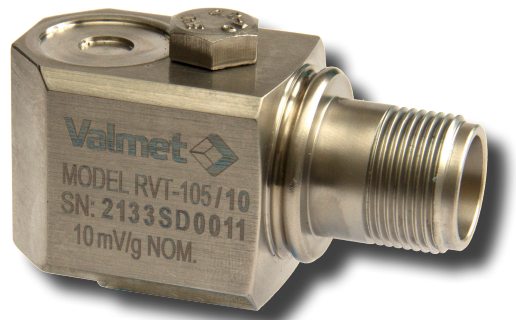


# Acceleration sensor

RVT-105/10 Code: 600-1135

## Key features

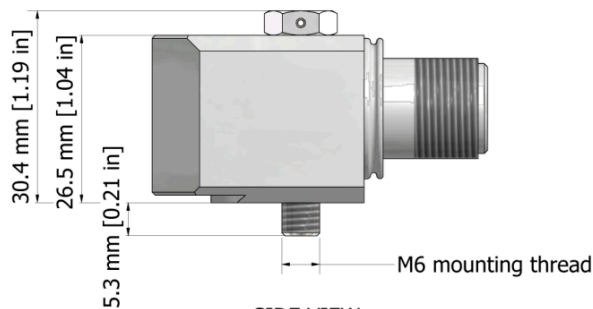
- Low sensitivity, 10 mV/g
- Rugged design
- Corrosion resistant
- Hermetic seal
- ESD protection
- Reverse wiring protection
- EMI/RFI shielded
- Side exit connector
- Case isolated



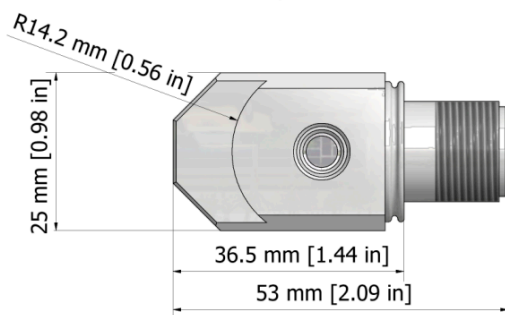
RVT-105/10 is a high-quality, low-profile, low-sensitivity industrial accelerometer for mechanical condition monitoring. It can be used with on-line systems as well as portable data collectors.

RVT-105/10 is designed for applications where high acceleration levels can occur, such as gearboxes. Sensor is suitable, for example, for the following industries:

- Pulp and Paper
- Mining and mineral industry
- Power generation
- Steel industry



SIDE VIEW

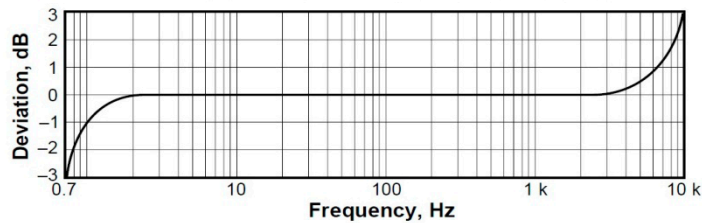


BOTTOM VIEW

## RVT-105/10 specifications

<b>Dynamic</b>	Sensitivity, $\pm 10\%$ , 25 °C	10 mV/g
	Acceleration range	500 g peak
	Amplitude nonlinearity	1%
	Frequency response	1...5 000 Hz
	$\pm 10\%$	0.5...10 000 Hz
	$\pm 3$ dB	
	Resonance frequency, mounted, min.	22 kHz
	Transverse sensitivity, max.	5% of axial
	Temperature response	
-50 °C	-20%	
+120 °C	+10%	
<b>Electrical</b>	Power requirement	
	Voltage source	18...30 VDC
	Bias current	2...10 mA
	Output impedance, max.	100 $\Omega$
	Bias output voltage	12 VDC
	Grounding	Case isolated, internally shielded
<b>Environmental</b>	Temperature range	-50...+120 °C
	Shock limit	5 000 g peak
	Sealing	Hermetic
<b>Physical</b>	Sensing element design	PZT ceramic, shear
	Weight	145 g
	Case material	316L stainless steel
	Mounting	M6 captive screw
	Output connector	2 pin, MIL-C-5015 style
	Pin A	Signal/power
	Pin B	Common

**TYPICAL FREQUENCY RESPONSE**



**TYPICAL TEMPERATURE RESPONSE**

