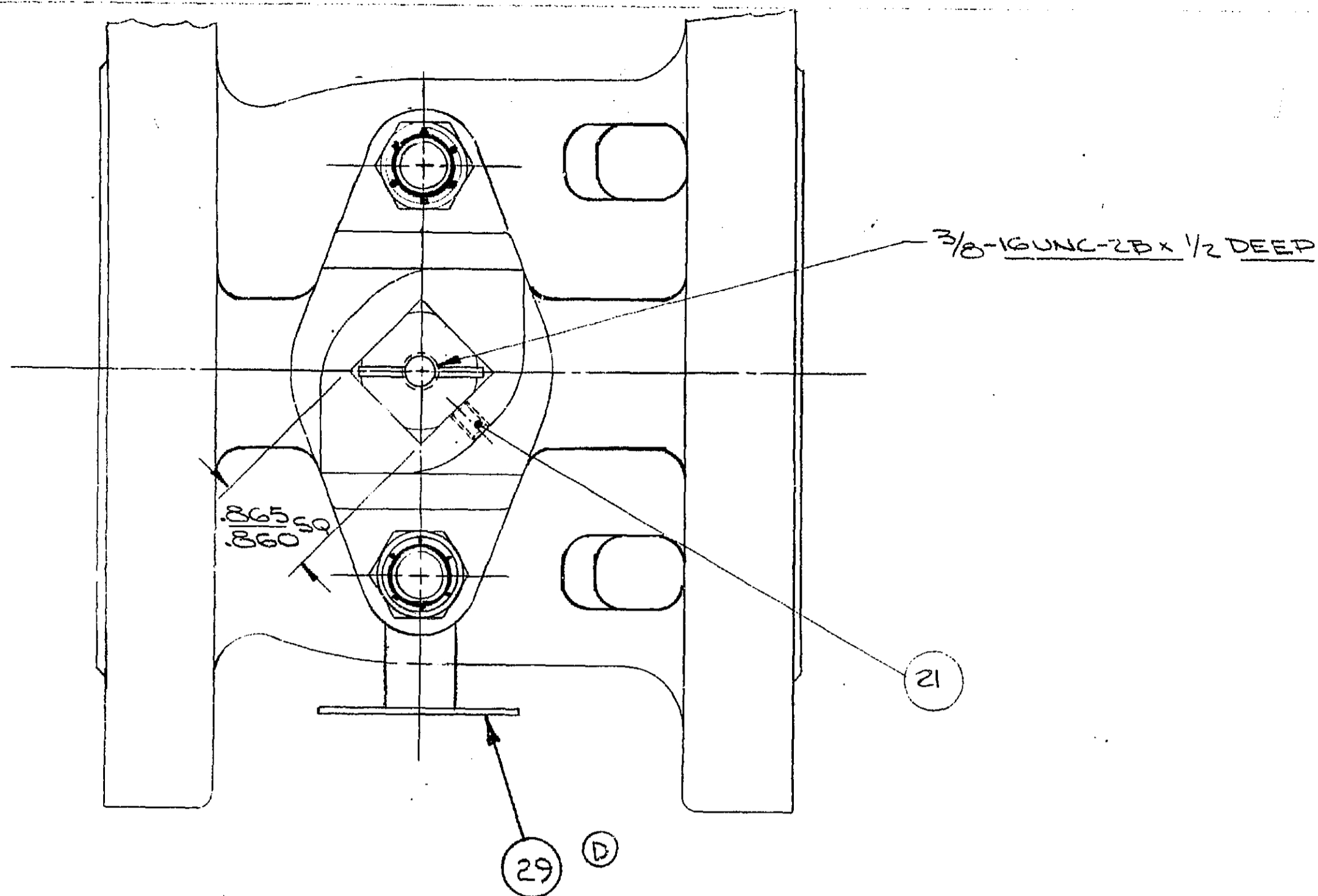
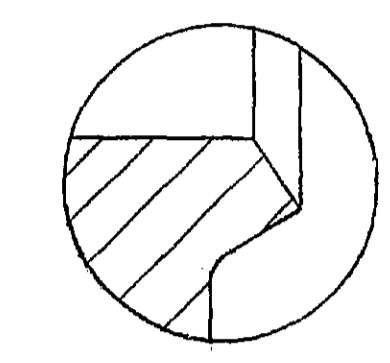


ECN	LET	REVISION	DATE	BY
2417	A	3/4 WAS 1/2	10-6-79	...
10046	B	PICTURE CHANGE TO AGREE WITH CASTING		
13238	C	ADDED IDENT. TAG		
13564	D	REV ITEM # 29	Aug 12-5-90	

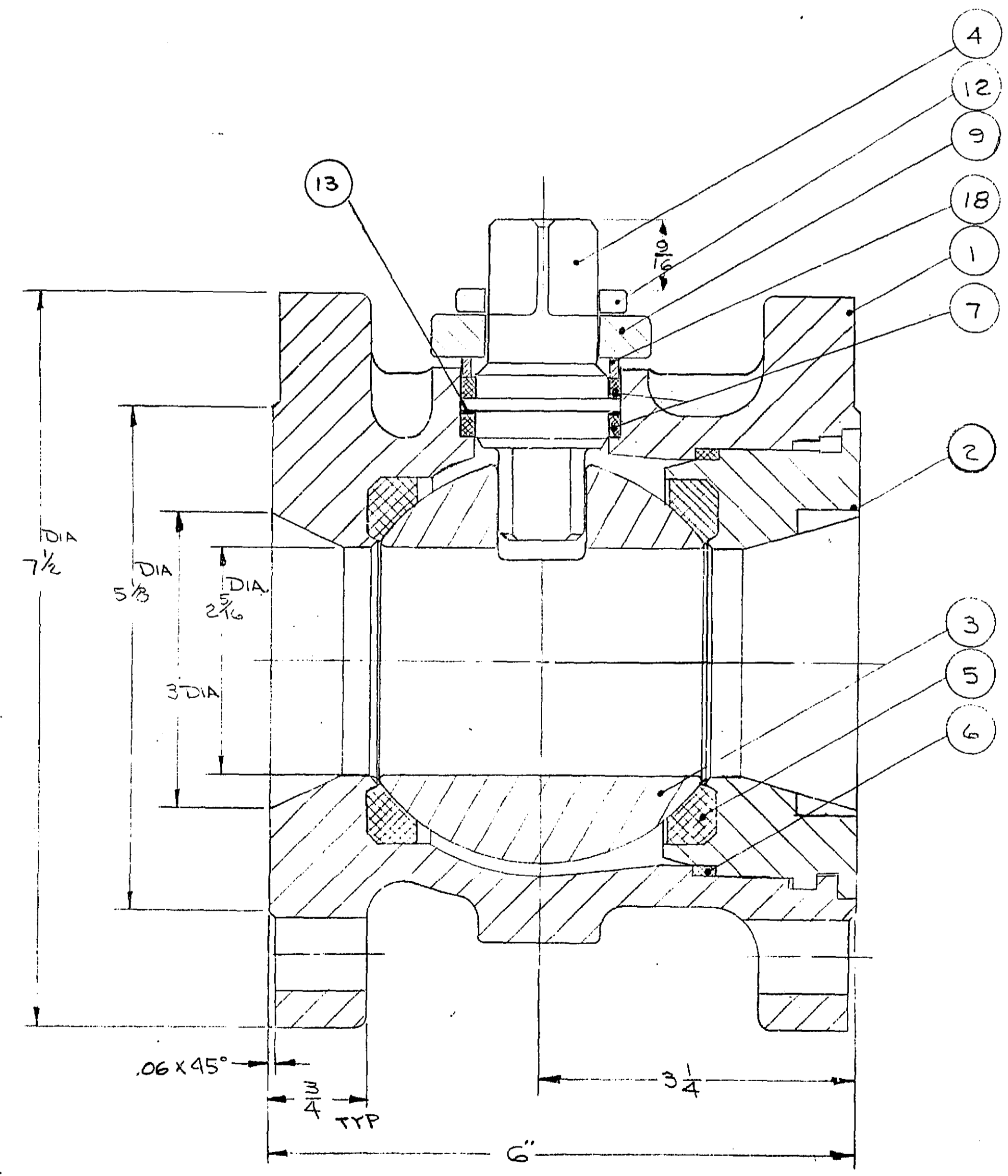


ITEM	PART NAME
1	BODY
2	INSERT & STOP PIN
3	BALL
4	STEM
5	SEAT
6	BODY SEAL
7	STEM SEAL
9	BONNET PLATE
10	ELASTIC STOP NUT
11	BONNET STUD
12	INDICATOR STOP
18	COMPRESSION RING
21	INDICATOR STOP SET SCREW
13	EMERGENCY STEM SEAL
29	IDENT. TAG

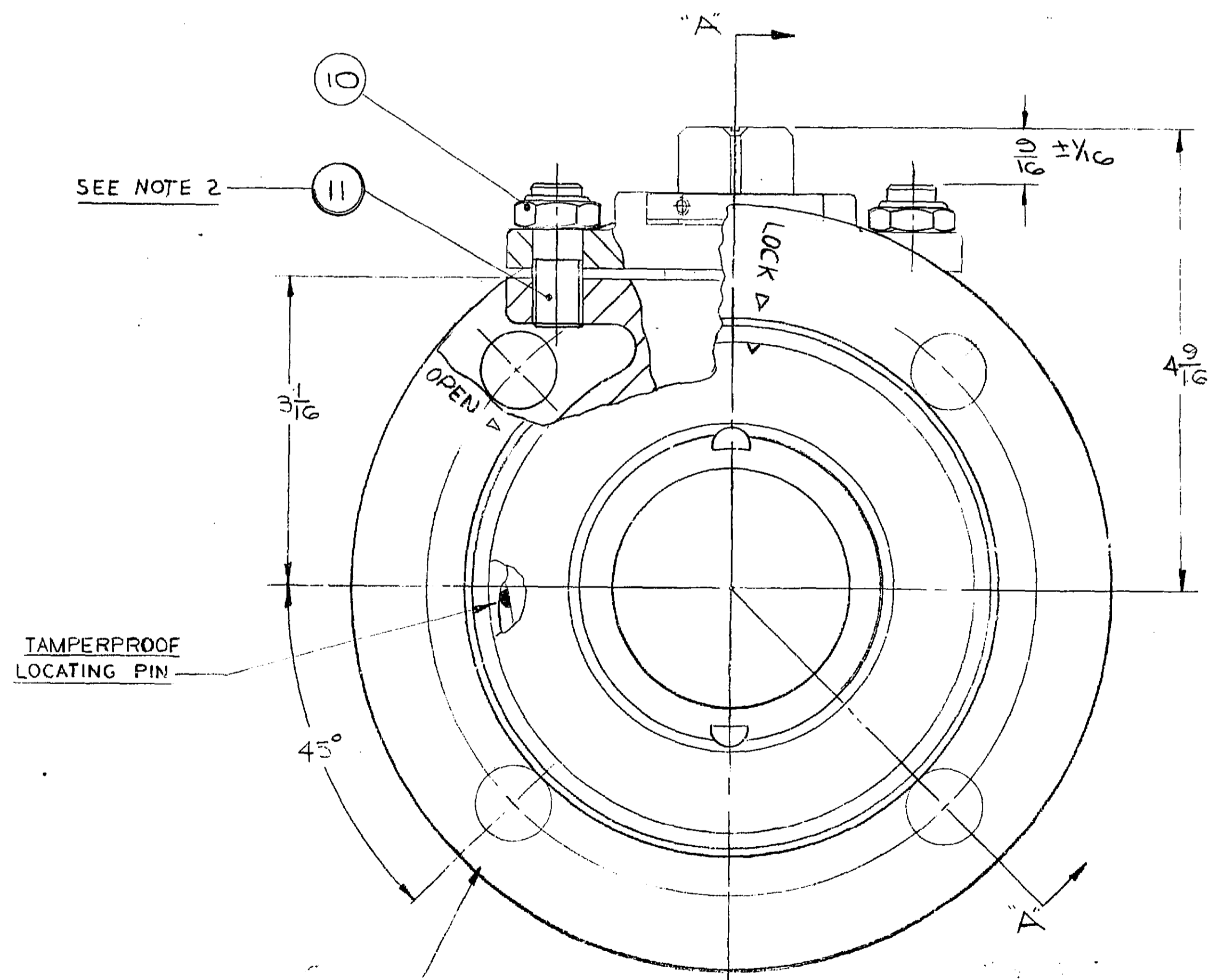


Z LIP ENLARGED VIEW

- NOTES:
- HANDLE NOT SHOWN-SPECIFY ON ORDER.
 - WELD STUDS INTO PLACE PER B-I-1376.



SECTION "A-A"



TAMPERPROOF LOCATING PIN

FLANGES PER ANSI B16.5

THIS DRAWING AND ALL INFORMATION CONTAINED HEREIN ARE THE PROPERTY OF THE JAMESBURY CORP. AND ARE NOT TO BE USED IN ANY MANNER WITHOUT THE WRITTEN PERMISSION OF SAID CORP.	REF SPEC
UNLESS OTHERWISE NOTED	
TOLERANCE	
FRACTIONAL	± .002
TWO PLACE DECIMAL	± .01
THREE PLACE DECIMAL	± .001
ANGULAR	
ALL MACHINING SURFACES TO BE FINISHED TO THE TOLERANCES SPECIFIED UNLESS OTHERWISE NOTED	

CODL	MATERIAL	REMARKS
PATTERN NUMBER		DO NOT SCALE DRAWING
TITLE		SCALE 1:1
ASSEMBLY		DATE 10-22-69
3AZFRR		DR BY BFG
		CH BY
		DATE
		APPROV
		DATE 3/5/90
jamesbury CORPORATION WORCESTER, MASS		D 3098