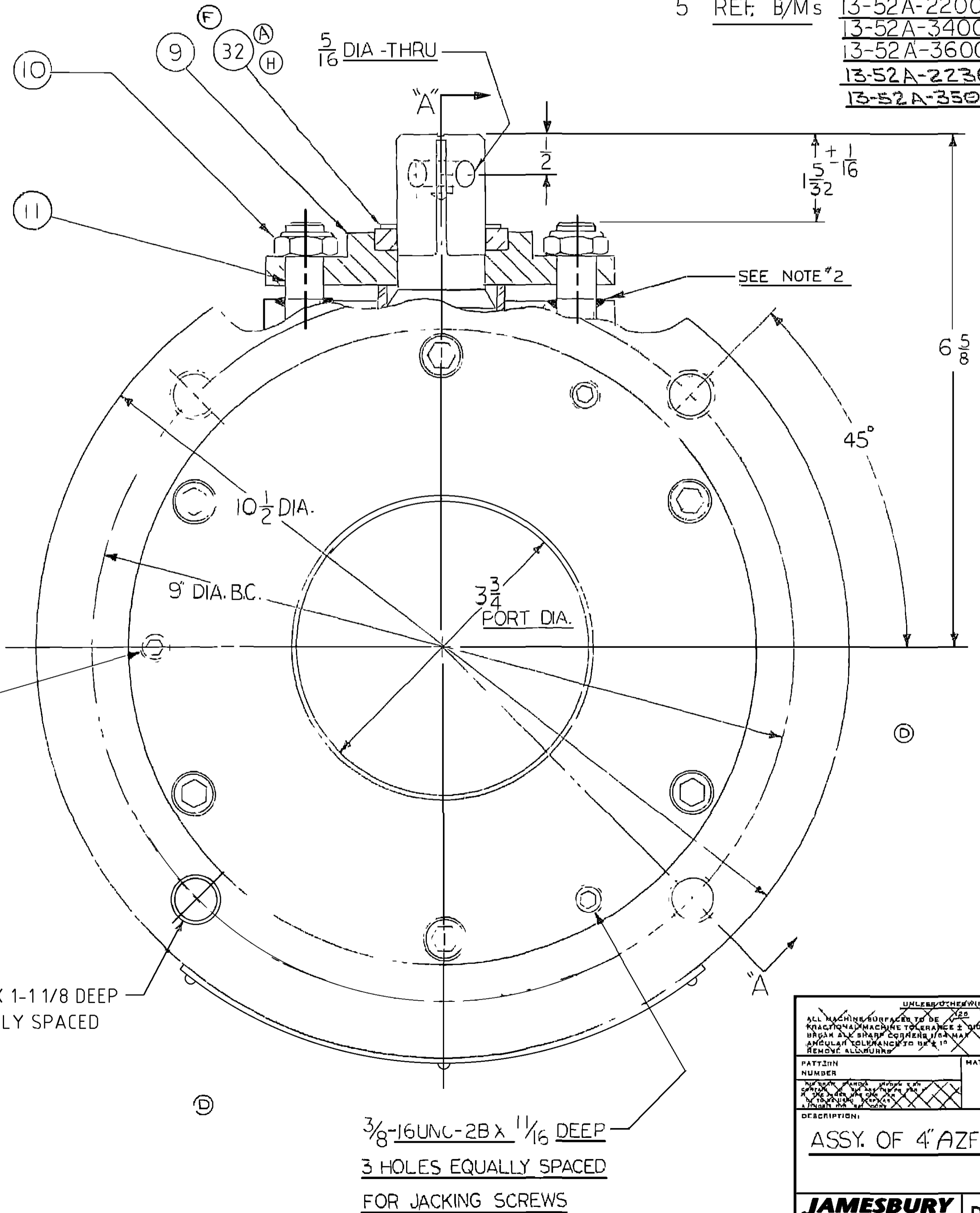
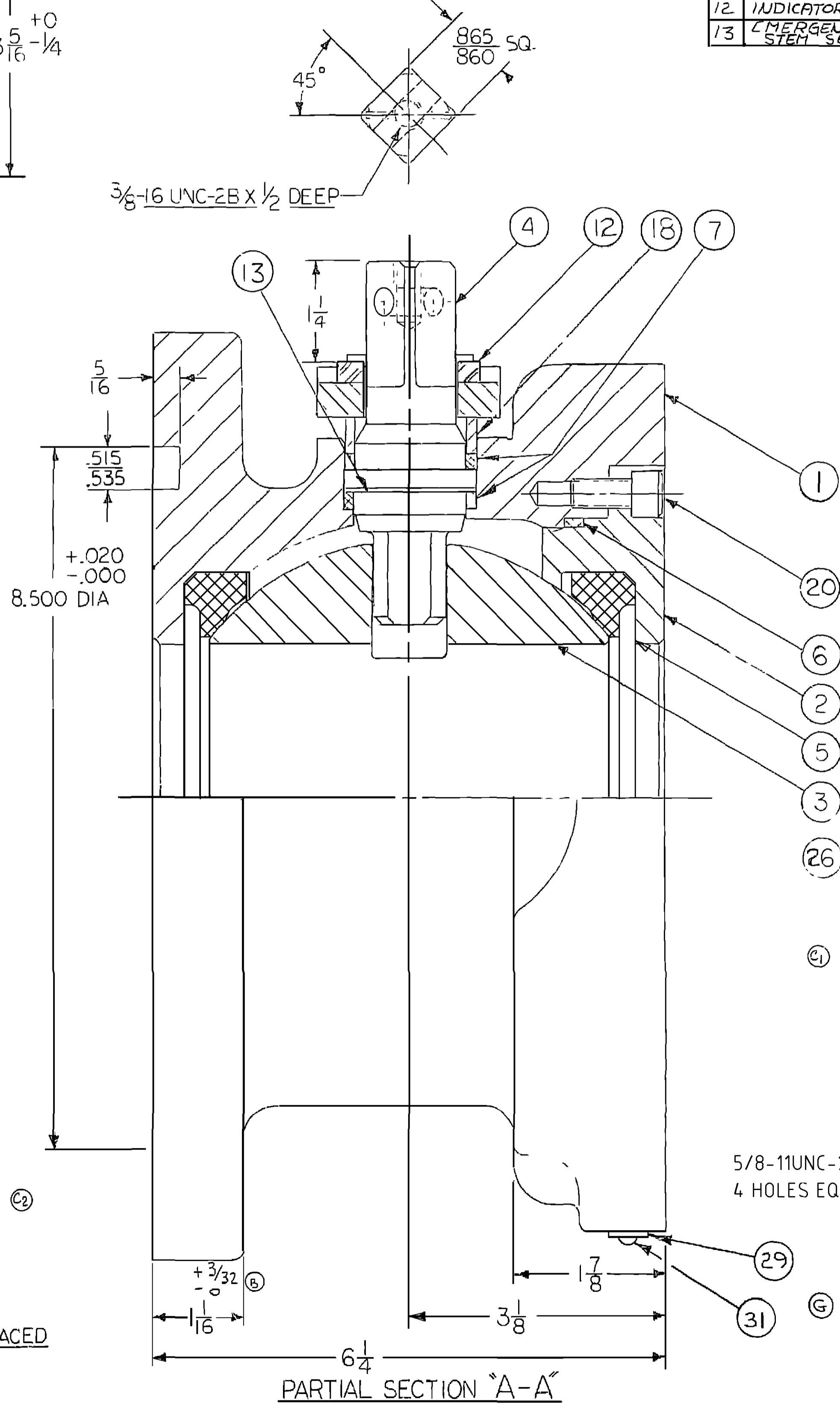
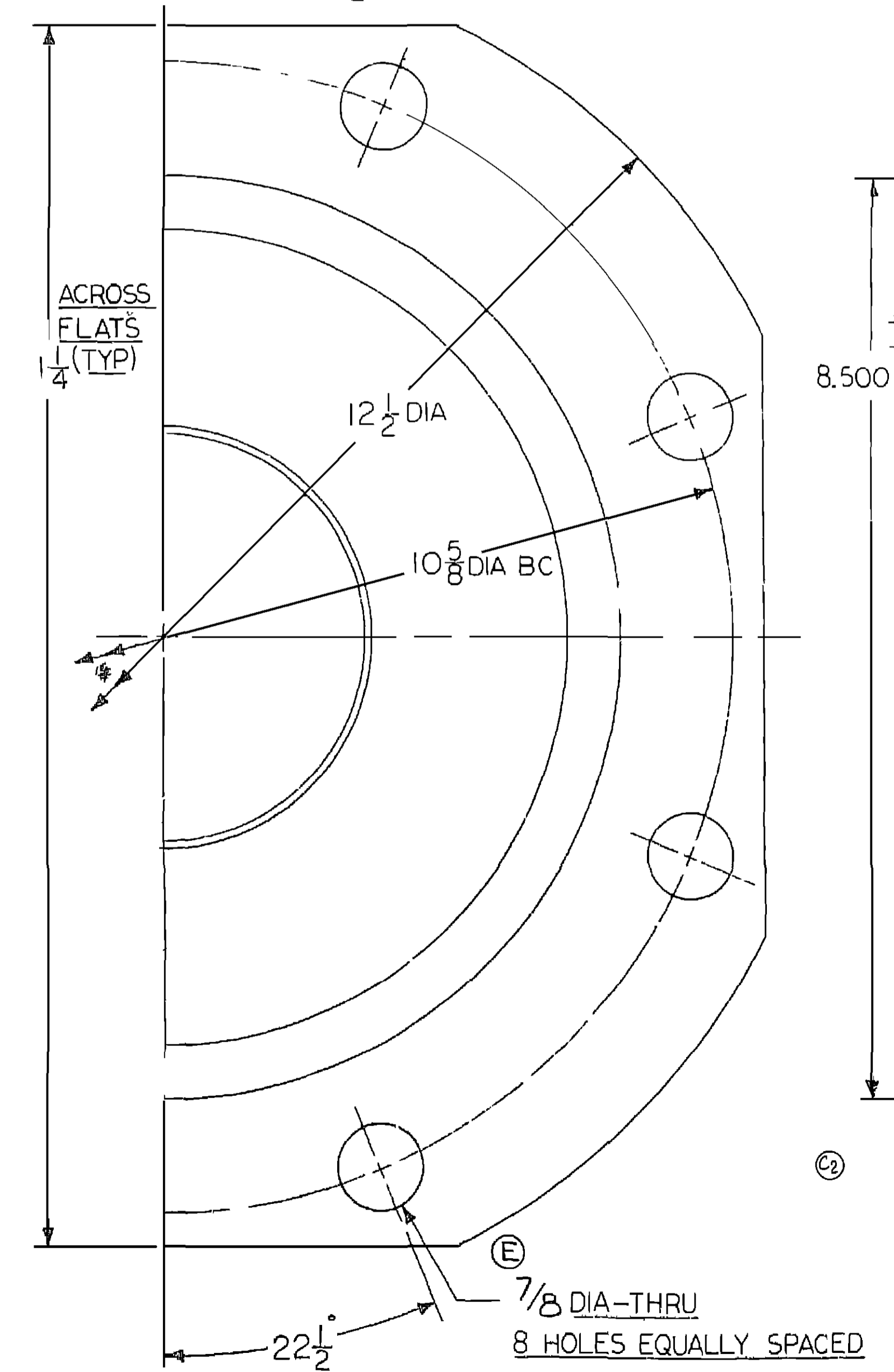
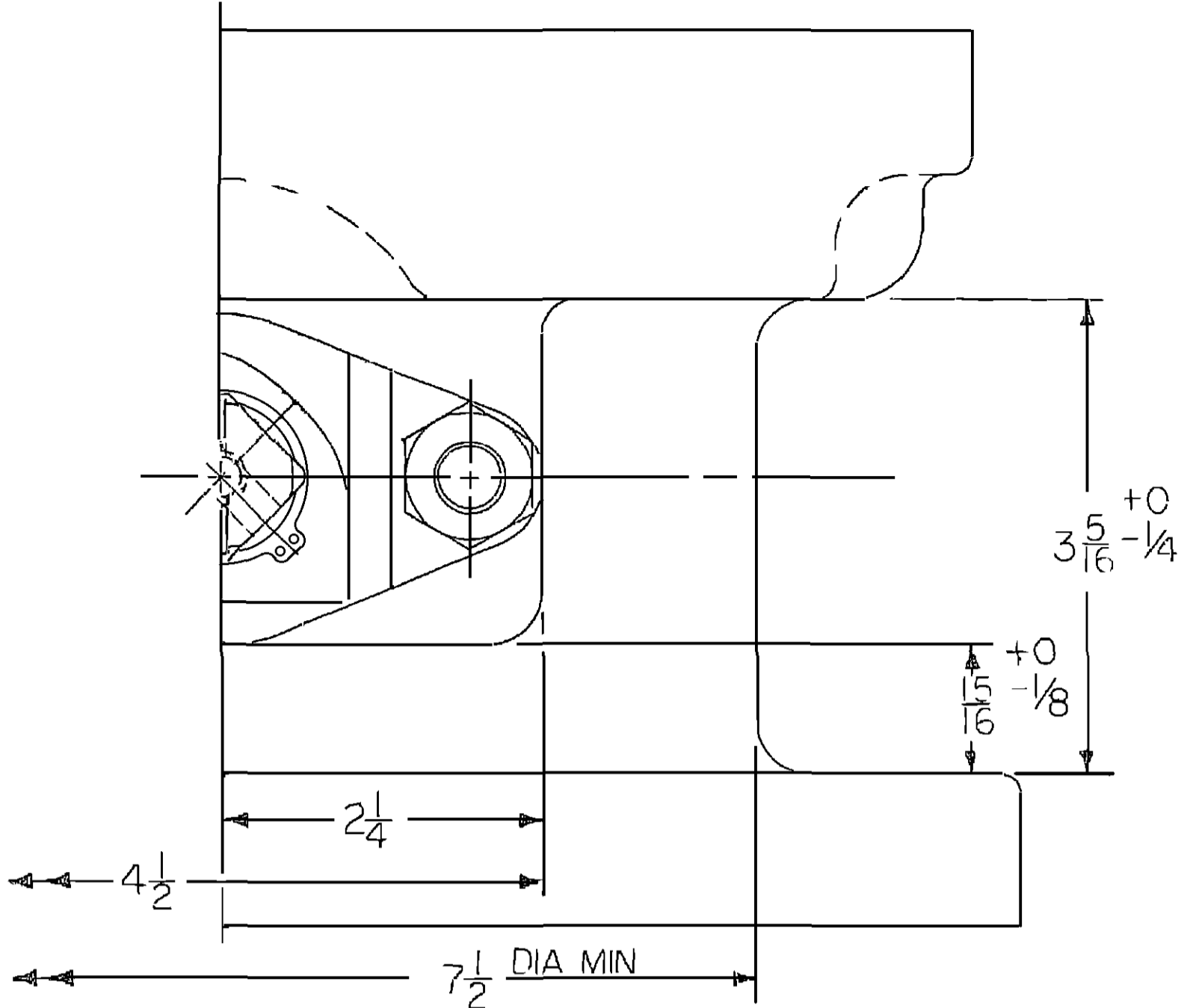


Jamesbury CANADA	ALL
Jamesbury CONTROLES de FLUIDOS(BRAZIL)	
Jamesbury NIPPON	
Jamesbury SINGAPORE	
Jamesbury TUFSEAL(GERM)	
Oym (MEXICO)	BD

ITEM	PART NAME	ITEM	PART NAME
1	BODY	18	COMPRESSION RING
2	BODY INSERT		
3	BALL	20	BODY INSERT CAP SCREW
4	STEM		
5	SEAT	26	SET SCREW
6	BODY SEAL		
7	STEM SEAL		
9	BONNET PLATE	29	IDENT. TAG
10	ELASTIC STOP NUT	31	POP RIVET
11	BONNET STUD	32	RETAINING RING
12	INDICATOR STOP		
13	EMERGENCY STEM SEAL		

LET	ECN	REVISION	DRAWN	APPD.	DATE
K	18810	CHANGED I.D. TAG SEE ECN FOR DETAILS	BA	DRE	25 JUN 04

ECN	LET	REVISION	DATE	BY
4322	A	ADDED ITEM # 28	7/2/18	J
4586	E	ADDED 3/32	2-2-1	L
8299	C	DREM ITEM # 27 DREM 1/2-9 HOLE	3/20/0	JPB
8707	D	REMOVED (B) 3/4-10 HOLES	9/28/01	J
E12094		WAS 13/16	3/22/07	J
F12321		WAS ITEM # 28	1-14-08	J
G13564		ADDED ITEMS 29 & 31	12-5-10	J
H17696		ADDED ITEM 32, REM ITEM 21 & 40	23 MAR 00	PJD
J17818		CHANGED SEAT & INSERT	15 NOV 00	PJD



NOTES

- HANDLE (15) NOT SHOWN - SPECIFY ON ORDER.
- WELD STUDS IN PLACE PER DWG. B-I-1376
- ASSEMBLY LUBRICATION PER JS A-I
- TEST PER JST-2.
- REF. B/MS 13-52A-2200-00
13-52A-3400-00
13-52A-3600-00
13-52A-2236-00
13-52A-3500-00

UNLESS OTHERWISE NOTED

ALL MACHINING SURFACES TO BE FINISHED TO THE TOLERANCES AND SURFACE FINISHES SPECIFIED UNLESS OTHERWISE NOTED. DIMENSIONS ARE SHOWN UNLESS OTHERWISE SPECIFIED. DIMENSIONS ARE TO BE TAKEN TO THE CENTER UNLESS OTHERWISE SPECIFIED. DIMENSIONS ARE TO BE TAKEN TO THE CENTER UNLESS OTHERWISE SPECIFIED. DIMENSIONS ARE TO BE TAKEN TO THE CENTER UNLESS OTHERWISE SPECIFIED.

PART NUMBER	MATERIAL
DESCRIPTION	DATE 8/22/11
ASSY. OF 4" AZFRC	SCALE NONE
	DR. BY MIKE W
	CH. BY NSP
	APP. BY [Signature]

JAMESBURY
A NELES AUTOMATION COMPANY
WORCESTER MA, U.S.A.

D 3475