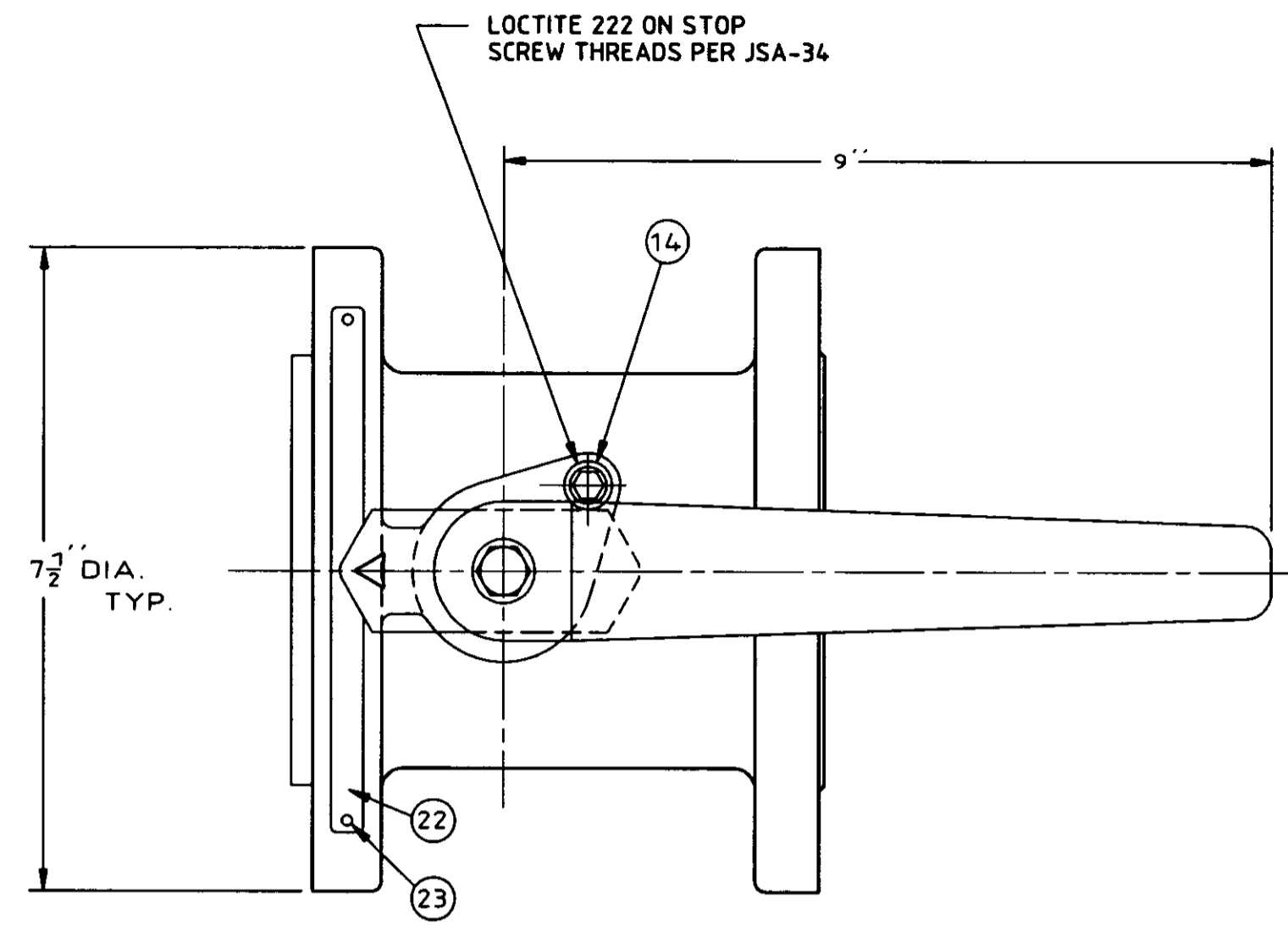
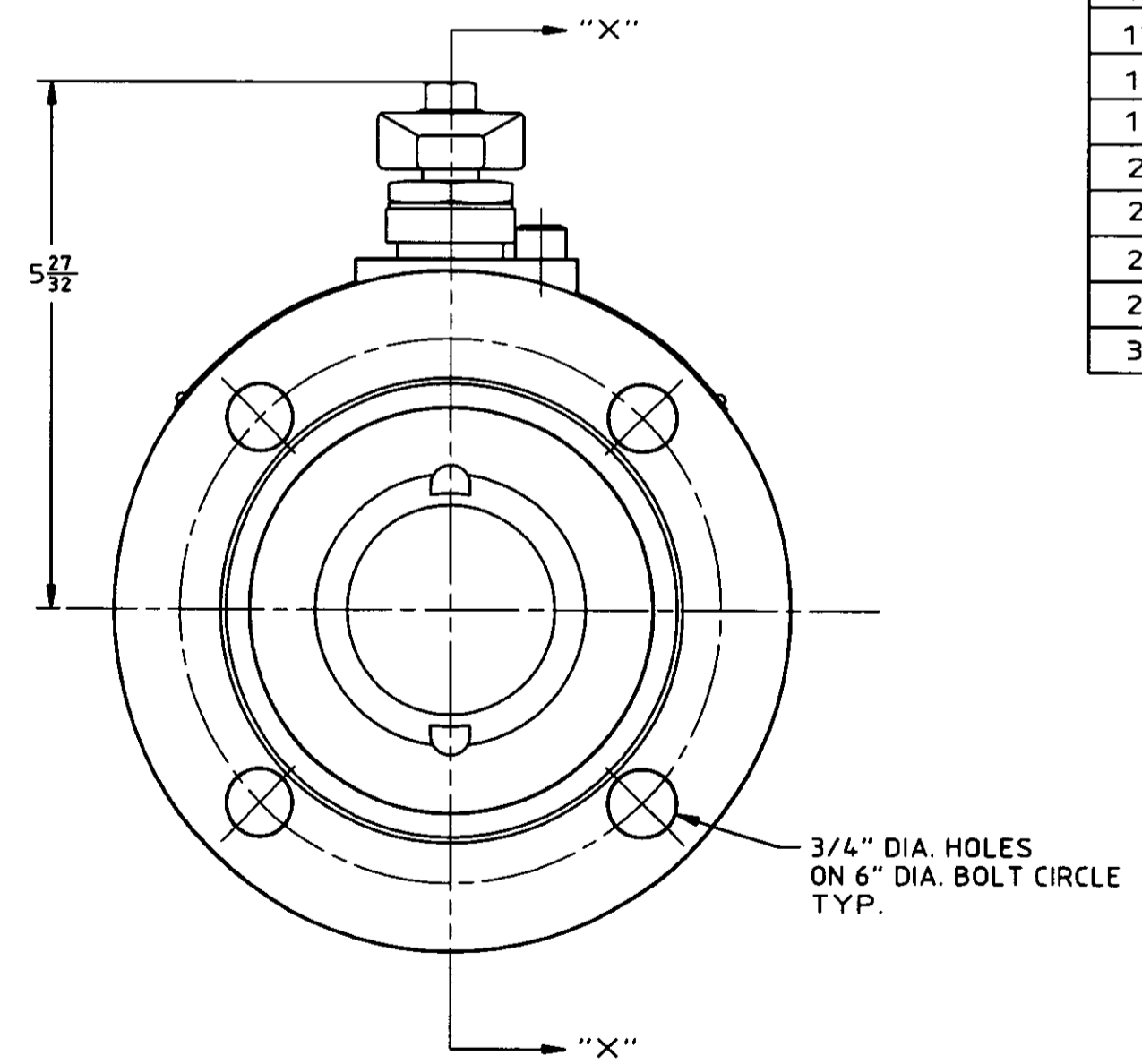
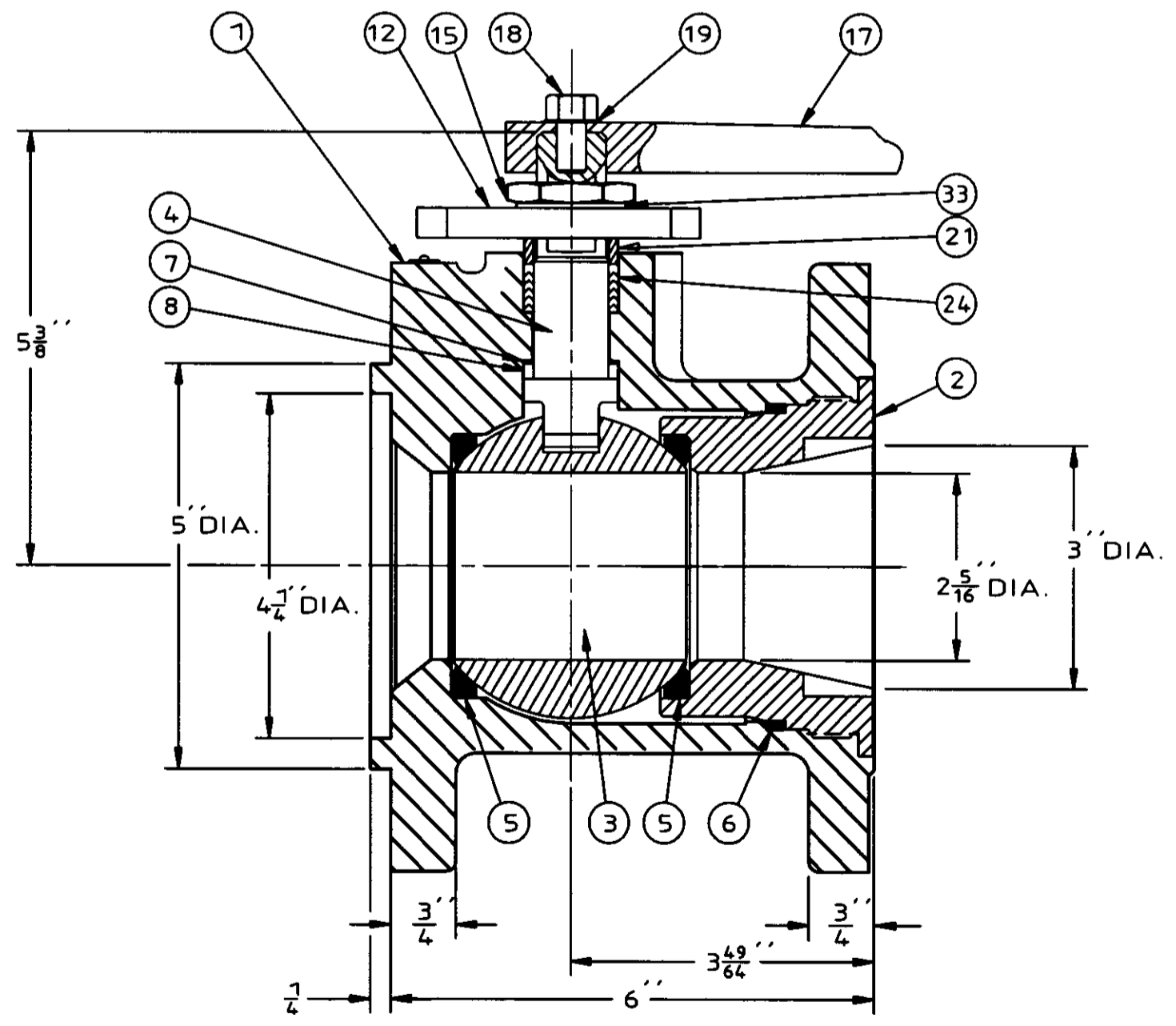


LET	REV	REVISION	DR.	APPV.	DATE
	13854	5103 WAS P-11251	GFW	GRW	12 JUNE 91
△	13975	HANDLE WAS 8"	EVA	GW	30MAY 91
□	16201	SEE ECN FOR CHANGES	MD		8-5-96
C	18322	MOVED TAG, ITEM 22 TO OTHER FLG.	BA	PJO	12 JUN 02



VALVE SIZE	INSERT ASS'Y TORQUE
3"	450/500 FT-LBS

ITEM NO.	PART NAME
1.	BODY
2.	INSERT
3.	BALL
4.	STEM
5.	SEAT
6.	BODY SEAL
7.	SECONDARY STEM SEAL
8.	STEM SEAL
12.	INDICATOR STOP
14.	STOP SCREW
15.	STEM NUT
17.	HANDLE
18.	HEX. HD. CAP SCREW
19.	LOCKWASHER
21.	COMPRESSION RING
22.	IDENTIFICATION TAG
23.	DRIVE SCREW
24.	UPPER STEM SEAL
33.	LOCKWASHER



MAT'L. CODE	MATERIAL TYPE	MATERIAL SPECIFICATIONS	IDENT. MARK
		DO NOT SCALE DRAWING	SCALE 3/4=1
<small>THIS DRAWING AND ALL REPRODUCTIONS THEREOF ARE THE PROPERTY OF THE NELES-JAMESBURY COMPANY AND ARE TO BE USED ONLY AS AUTHORIZED BY EACH COMPANY.</small>		<small>UNLESS OTHERWISE NOTED DIMENSIONS, TOLERANCES &amp; FINISHES SHOWN ARE TO ACCURACY AND ARE UNLESS OTHERWISE SPECIFIED.</small>	
<small>FOR ASSEMBLY ONLY</small>		TITLE: ASSEMBLY 3" SRRT TOP LOADING VALVE WITH TONGUE	DATE: JUNE 12 1991 DATE: JUNE 12 1991
NELES-JAMESBURY WORCESTER, MASS. U.S.A.		D 5103	SH. 0E 1