

ALL DIMENSIONS ARE ±0.06 EXCEPT AS NOTED

VALVE SIZE	A	B	C	D	E	G	H	J	K	L	M	S	T	U	V	W
150 LB																
2	7.00	3.89	6.00	4.75	2.00	5.05	14.00	5.50	3.09	0.75	4	0.69	0.68	4.33	1.26	1/2-13
3	8.00	4.09	7.50	6.00	3.00	5.87	14.00	6.32	3.90	0.75	4	0.69	0.81	4.33	1.26	1/2-13
4	9.00	4.48	9.00	7.50	4.00	8.32	19.94	8.78	5.51	0.75	8	0.97	1.00	5.10	1.26	1/2-13
6	15.50	8.25	11.00	9.50	6.00	10.70	30.00	11.65	7.28	0.88	8	1.25	1.06	6.30	1.58	5/8-11
300 LB																
2	8.50	4.99	6.50	5.00	2.00	5.05	14.00	5.50	3.09	0.75	8	0.69	0.94	4.33	1.26	1/2-13
3	11.12	6.41	8.25	6.63	3.00	7.50	19.94	7.95	4.69	0.88	8	0.97	1.18	5.10	1.26	1/2-13
4	12.00	6.59	10.00	7.88	4.00	9.08	30.00	10.03	5.66	0.88	8	1.25	1.31	6.30	1.58	5/8-11

VALVE SIZE	R		Y *	
	150 LB	300 LB	150 LB	300 LB
2	1.24	1.24	1.05	1.2
3	1.24	1.78	1.05	1.3
4	1.78	1.78	1.3	1.7
6	1.78	—	1.7	—

VALVE SIZE	STUD & NUT QTY.	
	150 LB	300 LB
2	4	6
3	6	6
4	6	8
6	8	—

\* NOM. REF.

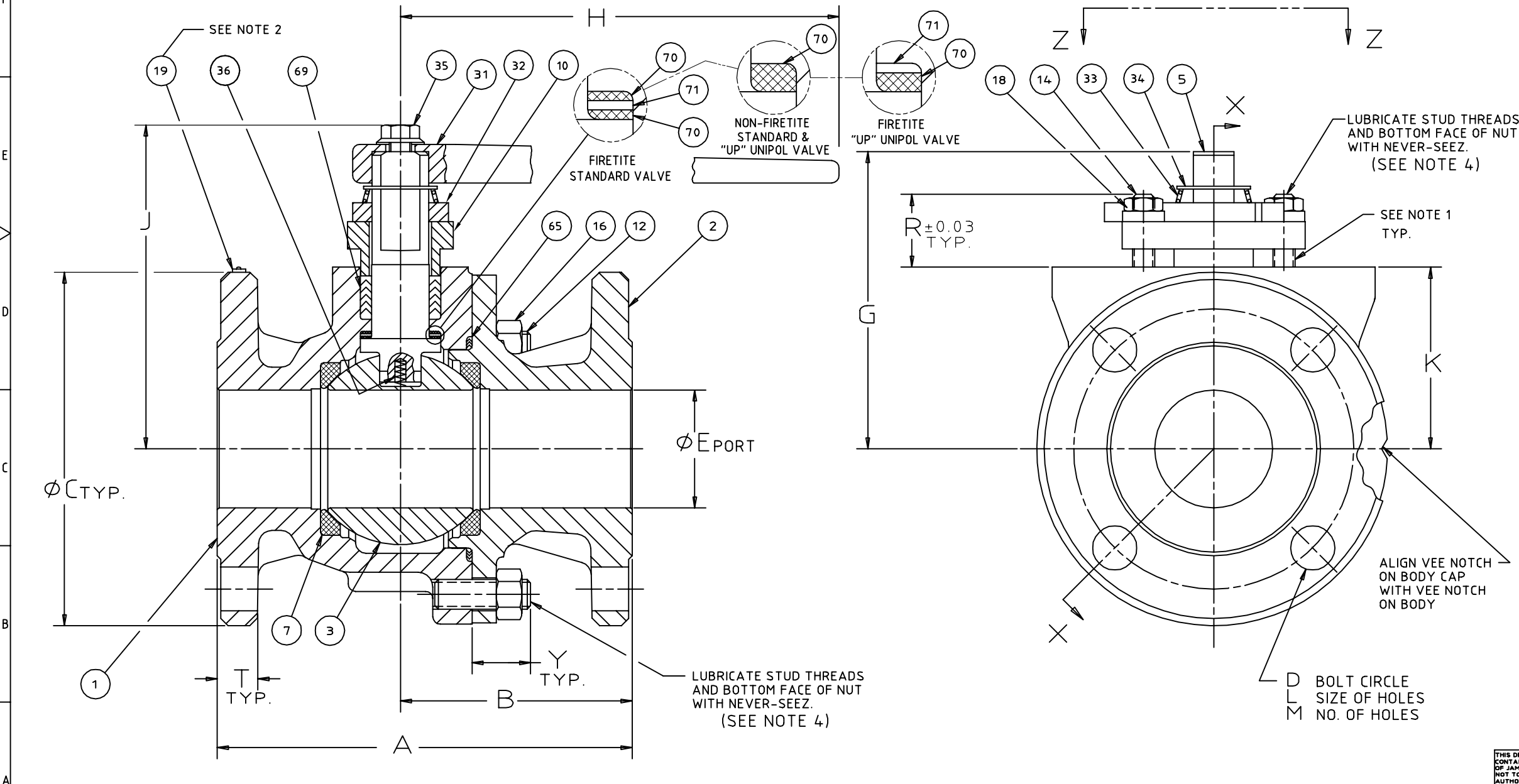
SUPERSEDING		SUPERSEDED BY			
LET	ECN	REVISION	DR.	APPVD.	DATE
L	43697	SEE ECN FOR CHANGES	BC	KAS	12 MAY 16

NOTES:

- USE LOCTITE #271 ON STUD THREADS PER JSA-34.
- ATTACH IDENTIFICATION TAG PER JMA-98.
- FOR INSTALLATION, MAINTENANCE & OPERATING INSTRUCTIONS SEE IMO-270.
- WHERE IDENTIFICATION APPEARS ON NUT OR STUD FACE ASSEMBLY WITH IDENTIFICATION ALWAYS VISIBLE.

ITEM NO.	PART NAME	QTY.
1	BODY	1
2	BODY CAP	1
3	BALL	1
5	STEM	1
7	SEAT	2
10	COMPRESSION PLATE	1
12	BODY STUD	XX
14	BONNET STUD	2
16	BODY STUD NUT	XX
18	BONNET STUD NUT	2
19	IDENTIFICATION TAG	1
31	HANDLE	1
32	INDICATOR STOP	1
33	SPRING	1
34	RETAINING RING	1
35	HANDLE SCREW	1
36	GROUNDING SPRING	1
37	"T" HANDLE ADAPTER	1
38	WASHER	1
39	STOP BUSHING	1
65	BODY GASKET	1
69	PACKING	1
70	STEM BEARING	×
71	SECONDARY STEM SEAL	1

\* QTY. 2 ON FIRETITE VALVES  
 QTY. 1 ON NON-FIRETITE & ALL UNIPOL VALVES  
 ++ FIRETITE VALVES ONLY



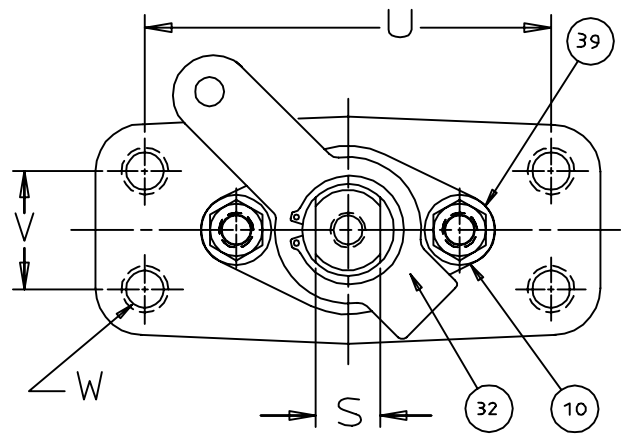
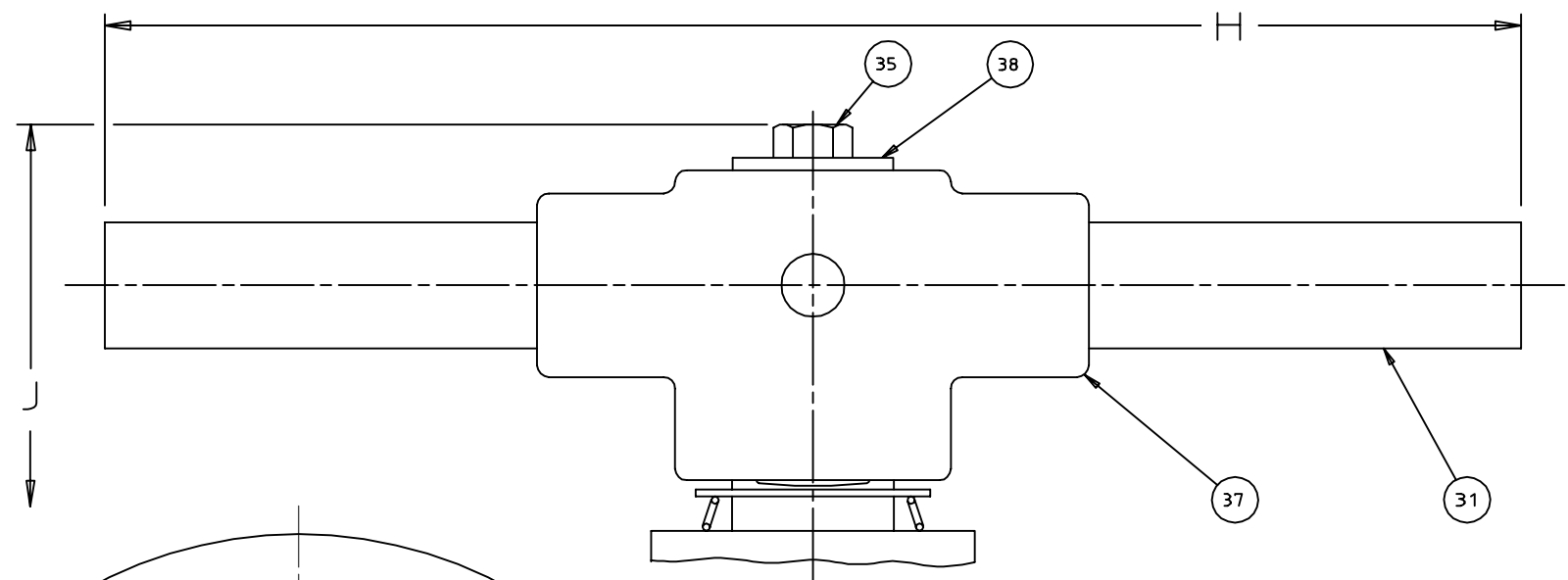
SECTION X-X

THIS DRAWING AND ALL INFORMATION CONTAINED HEREIN ARE THE PROPERTY OF JAMESBURY, INC. AND ARE NOT TO BE USED EXCEPT AS AUTHORIZED BY JAMESBURY, INC. UNLESS OTHERWISE NOTED DIMENSIONING, TOLERANCING, & DRAWING INTERPRETATION IS IN ACCORDANCE WITH ASME Y14.5M ANGLE = 45° FINISH = REMOVE SHARP EDGES AND CORNERS TO R2-R3 RADIUS OR CHAMFER, DIMENSIONS IN INCHES.

MATERIAL CODE	MATERIAL TYPE	MATERIAL SPECIFICATIONS	IDENT. MARK
JSA-1, JSA-10, JSA-17, JSA-34, JMA-98	DO NOT SCALE DRAWING	TITLE: ASSEMBLY SOFT SEATED VALVE 2"-6" 150LB & 2"-4" 300LB MOD. B	SCALE: NONE
		DATE: 21 SEP 92	DATE: 21 SEP 92
		APPVD: AD	DATE: 21 SEP 92
		SIZE: D	DWG NO: 5104
			REV: L

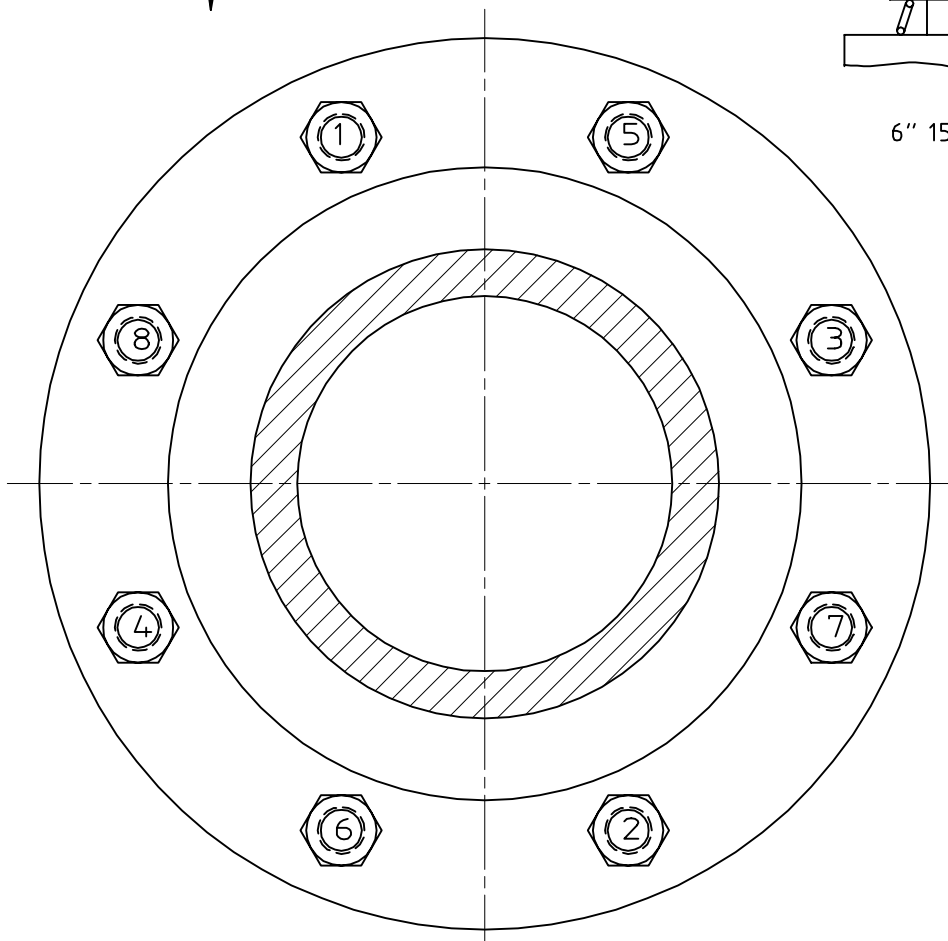
**JAMESBURY**  
 A NELES AUTOMATION COMPANY  
 WORCESTER MA., U.S.A.

SUPERSEDING		SUPERSEDED BY			
LET	ECH	REVISION	DR.	APPVD.	DATE
A	14681		JJK	ALD	27APR93
B	14864		GFW	AD	15 OCT 93
C	15038		JJK	AD	20EC93
D	15943		TEA	MJD	01AUG96
E	16393		WRD		1-3-97
F	17419		BA	SAL	29 JUN 99
G	17697		JMF	A.O.L.	5/17/00
H	18034		BA	PJD	23 MAR 01
J	18182		BA	PJD	2 OCT 01
K	18850		BA	DRE	31 MAR 04
L	43697		BC	KAS	12 MAY 16

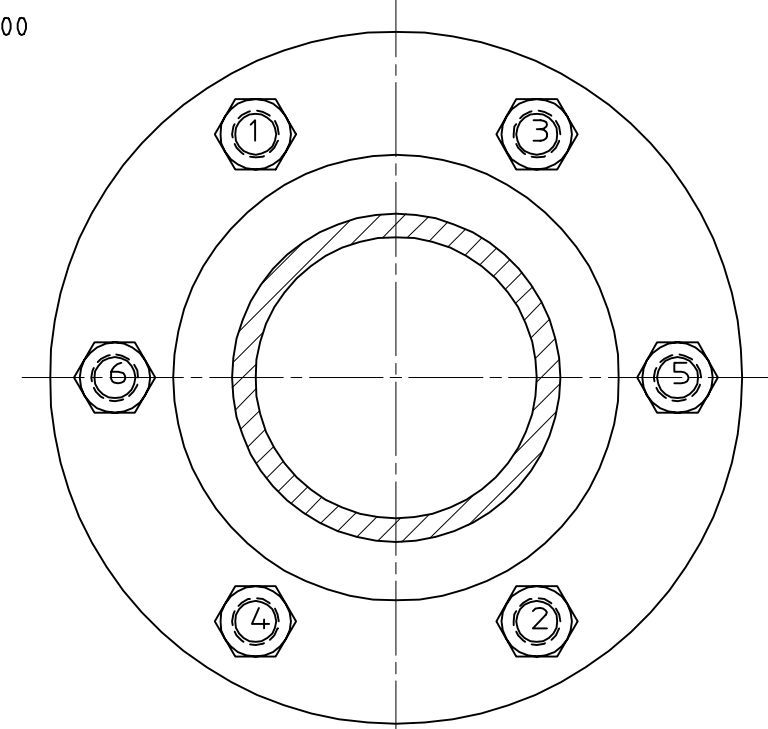


VIEW Z-Z  
4" / 6" - 150 & 3" / 4" - 300

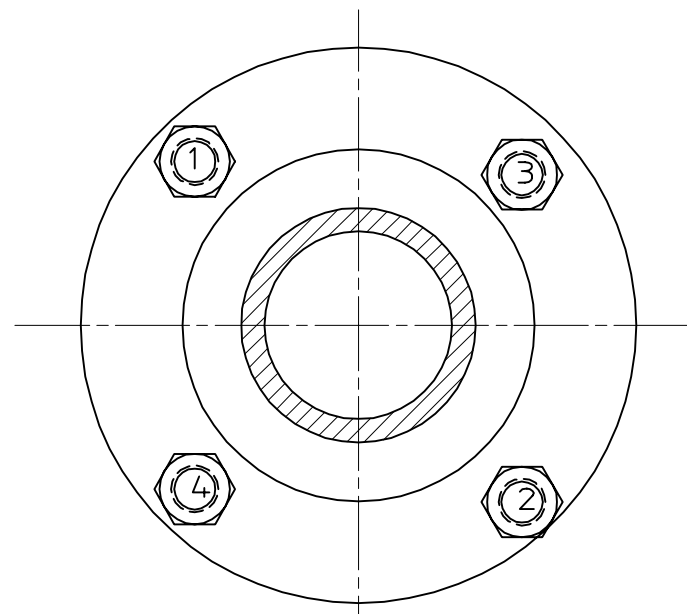
6" 150 & 4" 300



BODY FLANGE  
NUT TIGHTENING SEQUENCE  
6" 150 LB  
4" 300 LB



BODY FLANGE  
NUT TIGHTENING SEQUENCE  
3" & 4" 150 LB  
2" & 3" 300 LB



BODY FLANGE  
NUT TIGHTENING SEQUENCE  
2" 150 LB

BODY JOINT FLANGE ASSEMBLY TORQUE (FT.-LBS.)

MAT'L. CODE	MAT'L. SPEC.	MAT'L. IDENT. STUD	MAT'L. IDENT. NUT	2"-150/300 & 3"-150 1/2-13 TH'D.	3"-300 & 4"-150 5/8-11 TH'D.	4"-300 & 6"-150 3/4-10 TH'D.
19	A-193 GR. B7M	B7M	2HM OR 2HMB	55-65	125-145	190-220
20	A-193 GR. B7	B7	2H OR 2HB	75-85	160-190	250-290
31	A-193 GR. B8	B8, B8C OR B8T	8B, 8CB OR 8TB	70-85	155-180	235-275
71	QQ-N-286	K	K	67-75	140-160	210-245

UNLESS OTHERWISE NOTED DIMENSIONS, TOLERANCING, & DRAWING INTERPRETATION IS IN ACCORDANCE WITH ANSI Y14.5M

ANGLES = 45° FINISH = REMOVE SHARP EDGES AND CORNERS TO ALL .03 RADIUS OR CHAMFER, DIMENSIONS IN INCHES.

MATERIAL CODE	MATERIAL TYPE	MATERIAL SPECIFICATIONS	IDENT. MARK
	NAME FROM PART NO.	DO NOT SCALE DRAWING	SCALE NONE
TITLE: ASSEMBLY SOFT SEATED VALVE 2"-6" 150LB & 2"-4" 300LB MOD. B		DATE 21 SEP 92	DATE 21 SEP 92
DRAWN GFW		DATE 21 SEP 92	DATE 21 SEP 92
APPVD. AD		DATE 21 SEP 92	DATE 21 SEP 92
SIZE D	DWG NO 5104	REV L	

**JAMESBURY**  
VALVE CONTROLS GROUP  
WORCESTER MA., U.S.A.

SHEET 2 OF 2