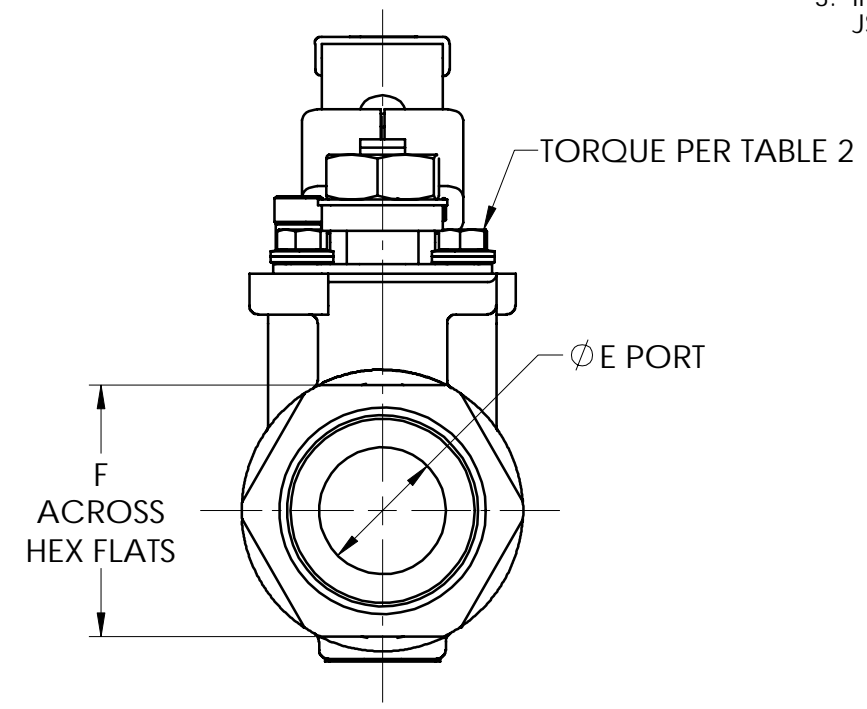
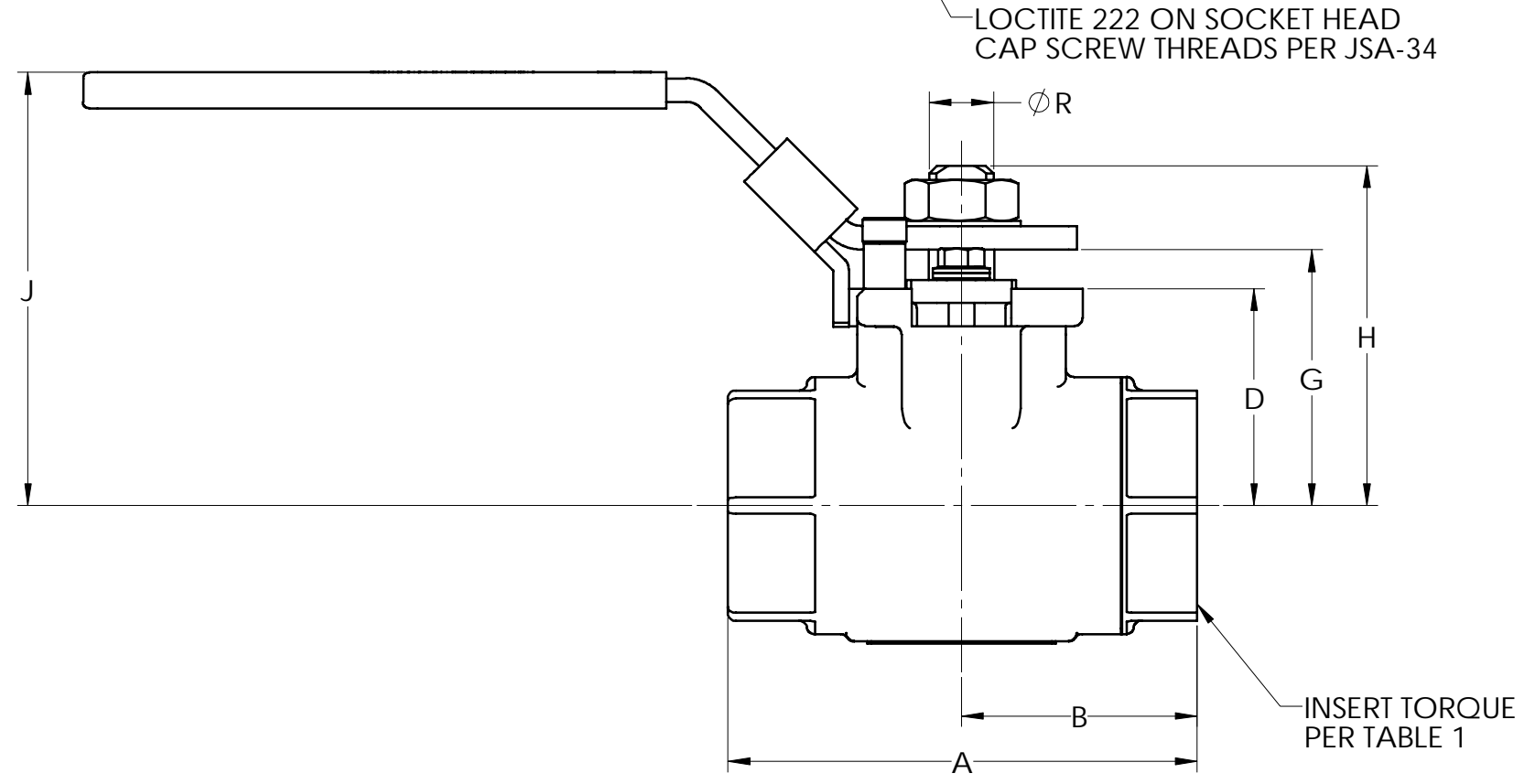


- NOTES:
1. TAG ATTACHMENT PER JS-115.
  2. FOR INSTALLATION, MAINTENANCE AND OPERATING INSTRUCTIONS SEE IMO-213.
  3. INSERT LOCKING AND WELDING SEE JSA-70.



NOMINAL DIMENSIONS - INCHES

VALVE SIZE	A	B	D	E	F	G	H	J	K	L	M	R	S	ISO BONNET
1/4"	2.160	1.130	1.060	0.430	1.130	1.280	1.630	2.360	5.000	M5	1.420	0.310	0.180	F03
3/8"	2.160	1.130	1.060	0.430	1.130	1.280	1.630	2.360	5.000	M5	1.420	0.310	0.180	F03
1/2"	2.620	1.340	1.060	0.500	1.130	1.280	1.630	2.360	5.000	M5	1.420	0.310	0.180	F03
3/4"	3.000	1.500	1.220	0.690	1.380	1.430	1.790	2.520	5.000	M5	1.420	0.310	0.180	F03
1"	3.550	1.780	1.650	0.880	1.750	1.990	2.580	3.290	6.500	M5	1.650	0.500	0.310	F04
1 1/4"	4.000	2.000	1.780	1.000	2.000	2.120	2.710	3.420	6.500	M5	1.650	0.500	0.310	F04
1 1/2"	4.380	2.190	2.080	1.250	2.310	2.540	3.300	4.270	8.000	M6	1.970	0.620	0.370	F05
2"	5.500	2.750	2.260	1.500	2.810	2.730	3.490	4.460	8.000	M6	1.970	0.620	0.370	F05

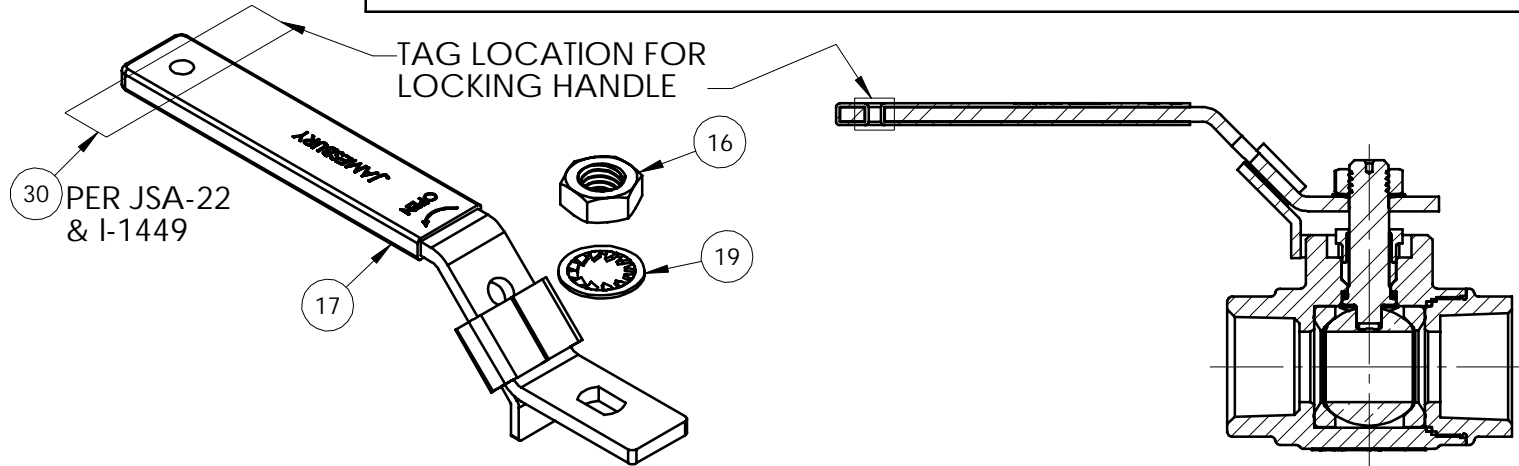
UNLESS OTHERWISE NOTED DIMENSIONS IN INCHES.  
 DIMENSIONING, TOLERANCING, AND DRAWING INTERPRETATION IS IN ACCORDANCE WITH ASME Y14.5M  
 ANGLES = ±5° FINISH = 250/  
 REMOVE SHARP EDGES AND CORNERS TO 0.02-0.03 RADIUS OR CHAMFER

SPECIFICATIONS TO BE USED IN CONJUNCTION WITH THIS DRAWING:  
 JSA-01  
 JSA-02  
 JSA-17  
 JSA-22  
 JSA-34  
 JSA-70  
 JS-115

SIZE D V16.06	MAKE FROM	WEIGHT	VOLUME	DRAWN M. WINQUIST	REVIEWED	NELES
ASSEMBLY 1/4 - 2 ELIMINATOR MOD B VALVE				APPROVED S. BRZOZOWSKI	DATE 3/25/1983	
SOLIDWORKS				LOCATION SHREWSBURY - USA	DRAWING NO. 5443	REV. M
RESTRICTED				SHEET 1 OF 2		

ECN NO. 46137	REVISION DESCRIPTION UPDATED DRAWING TO LATEST NELES TEMPLATE.	DRAWN P. DORRIAN	REVIEWED
		APPROVED M. NEWELL	DATE 08 JAN 2021

WE NELES ARE THE OWNERS OF THIS DOCUMENT AND ALL INFORMATION CONTAINED HEREIN WHICH MUST NOT, WITHOUT OUR WRITTEN PERMISSION, BE COPIED, GIVEN TO A THIRD PARTY OR IN ANY OTHER WAY USED AGAINST OUR COPYRIGHT. © 2021 NELES

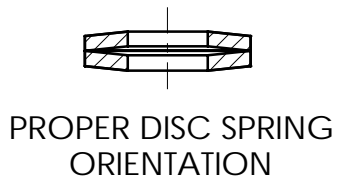
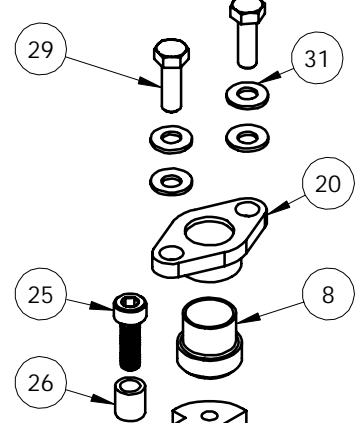
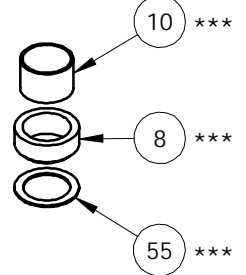


VALVE SIZE	TORQUE LB. - FT.
1/4"	100
3/8"	100
1/2"	100
3/4"	150
1"	250
1 1/4"	350
1 1/2"	400
2"	500

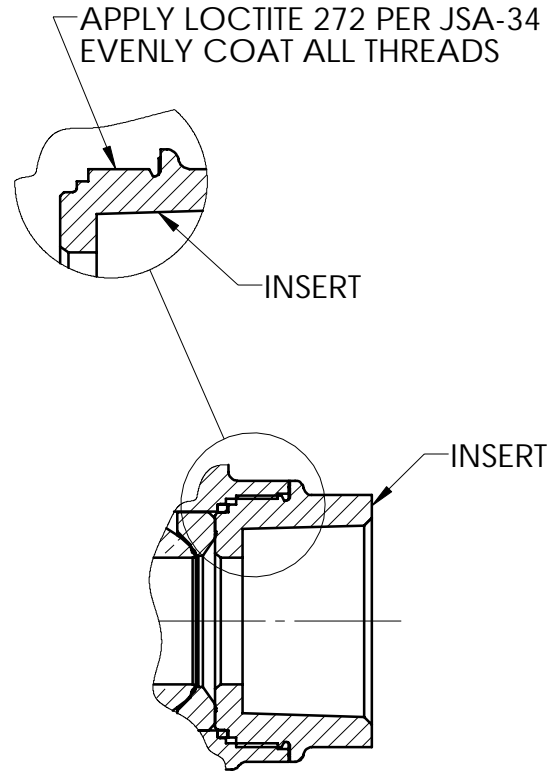
VALVE SIZE	TORQUE LB. - IN.
1/4", 3/8", 1/2" & 3/4"	15
1" & 1-1/4"	20
1-1/2" & 2"	32

VALVE SIZE	TORQUE LB. - FT.
1/4", 3/8", 1/2" & 3/4"	7-11
1" & 1-1/4"	19-26
1-1/2" & 2"	29-36

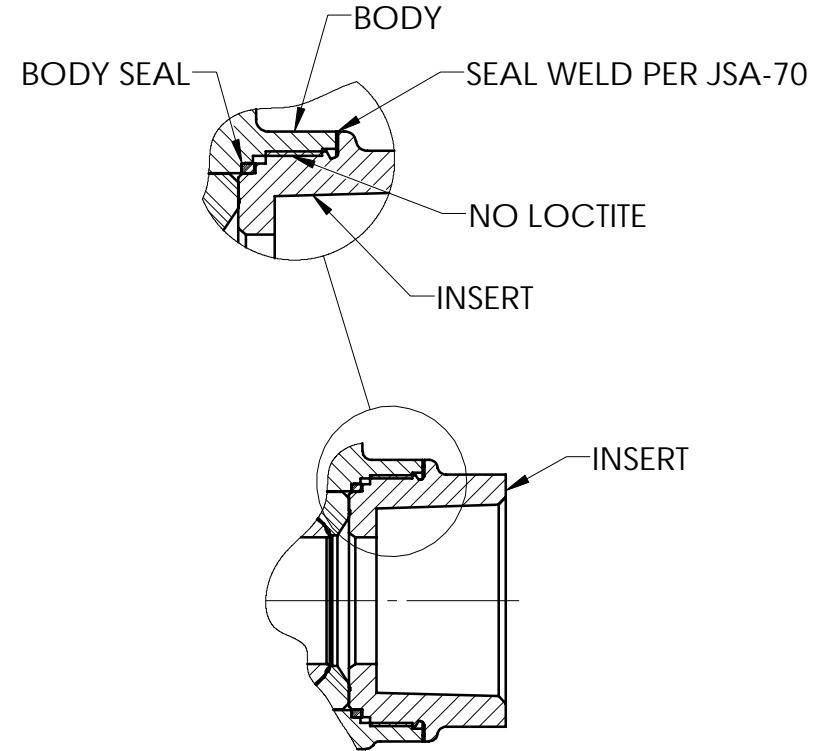
**WARNING: FOR SPECIAL SERVICE (OXYGEN, CHLORINE & HYDROGEN PEROXIDE) APPLY LOCTITE PER I-1792**



**NON-ANSI PRODUCTS**



**ANSI WELDED PRODUCTS**



ITEM	DESCRIPTION	QTY.	
1	BODY	1	
2	INSERT	1	
3	BALL	1	
4	STEM	1	
5	SEAT	2	
6	BODY SEAL	1	
*	SECONDARY STEM SEAL	1	
8	STEM SEAL	1	
***	10	STEM BEARING	1
*	13	STEM BEARING	2
16	HANDLE NUT	1	
17	HANDLE	1	
19	SHAKEPROOF WASHER	1	
20	COMPRESSION PLATE	1	
22	IDENTIFICATION TAG	1	
**	24	STEM BEARING NON-FIRETITE	1
25	SOCKET HEAD CAP SCREW	1	
26	SPACER	1	
29	HEX. HEAD CAP SCREW	2	
30	LABEL	1	
31	DISC SPRING	4	
***	55	ANTI-EXTRUSION RING	1
* FIRETITE VALVES ONLY			
** NON-FIRETITE VALVES ONLY			
*** USED FOR UPPER GRAPHITE STEM SEAL ONLY			

UNLESS OTHERWISE NOTED DIMENSIONS IN INCHES. DIMENSIONING, TOLERANCING, AND DRAWING INTERPRETATION IS IN ACCORDANCE WITH ASME Y14.5M ANGLES = ±5° FINISH = 250/ REMOVE SHARP EDGES AND CORNERS TO 0.02-0.03 RADIUS OR CHAMFER	SPECIFICATIONS TO BE USED IN CONJUNCTION WITH THIS DRAWING: JSA-01 JSA-02 JSA-17 JSA-22 JSA-34 JSA-70 JS-115	SIZE D	MAKE FROM	WEIGHT	VOLUME	DRAWN M. WINQUIST	<b>NELES</b> DATE 3/25/1983 REV. M
		ASSEMBLY 1/4 - 2 ELIMINATOR MOD B VALVE					
ECN NO. 46137 REVISION DESCRIPTION UPDATED DRAWING TO LATEST NELES TEMPLATE.	DRAWN P. DORRIAN APPROVED M. NEWELL	DATE 08 JAN 2021	SOLIDWORKS	LOCATION SHREWSBURY - USA	RESTRICTED	SHEET 2 OF 2	