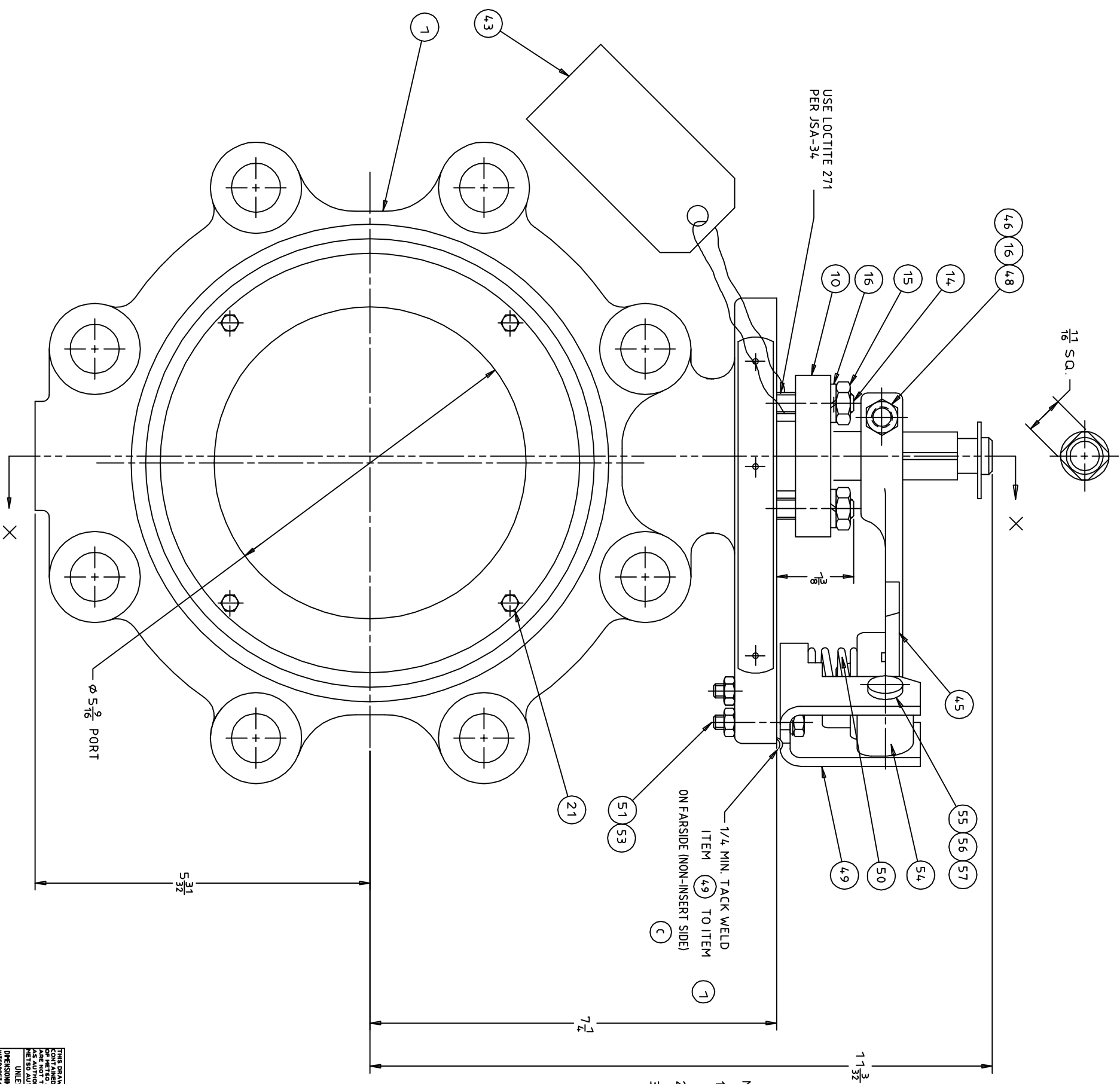


ITEM	PART NAME
1	BODY
2	INSERT
3	WASHER
4	SHAFT
5	SEAT
6	SHAFT BGR.
7	SPACER
8	SHAFT SEAL
9	COMP. RING
10	COMP. PLATE
11	PIPE PLUG
13	PIN
14	STUD
15	JAM NUT
16	LOCK WASHER
17	NAMEPLATE
18	DRIVE SCR.
21	HEX. HD. CAP SCR.
24	HANDLE S/A NOT SHOWN
27	RETAINING RING
28	CENTERING DEVICE
29	BOTTOM BRG. SPACER
4.1	TOP BRG. SPACER
4.3	TAG
4.5	LOCK ARM
4.6	HEX. HD. CAP SCR.
4.7	LOCK WASHER
4.8	NUT
4.9	LATCH STAND
50	COMP. SPRING
5.1	HEX. HD. CAP SCR.
5.3	LOCK NUT
5.4	LATCH PAWL
5.5	CLEVIS PIN
5.6	WASHER
5.7	COTTER PIN
7.6	RETAINING RING



- NOTES:
- HANDLE ASSEMBLY:
6" MOD: 5 112-0040-21
 - STAMP NAMEPLATE PER JSA-17.
 - PIN DISC PER I-1736.

LET	CON	REVISION	DRAWN	APPROV	DATE
A	40342	UPDATE NOTES / PIN VIEWS	SRB	DRE	5/29/11

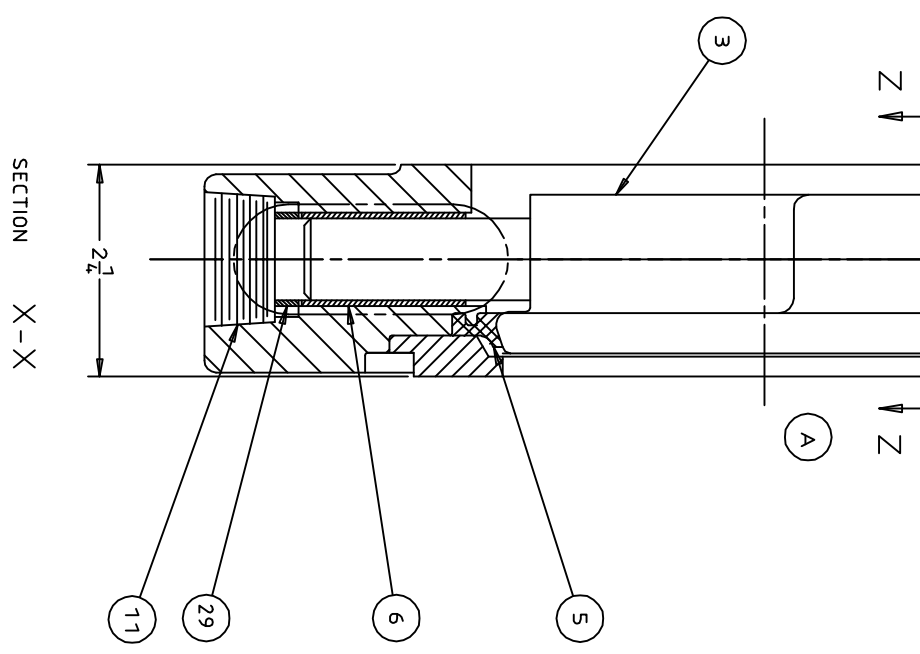
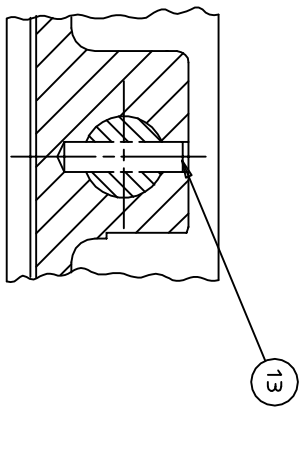
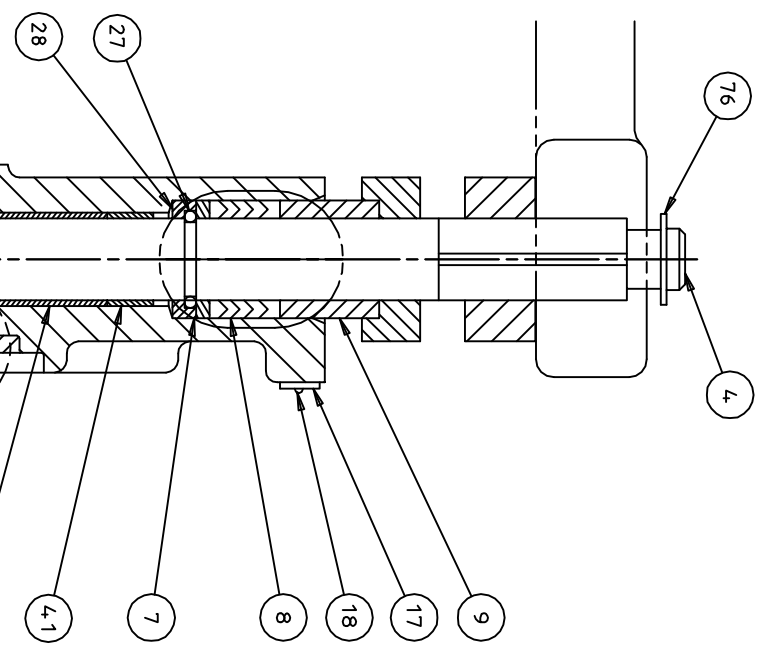
THIS DRAWING AND ALL INFORMATION CONTAINED HEREIN ARE THE PROPERTY OF METSO AUTOMATION USA, INC. AND ARE NOT TO BE USED EXCEPT AS AUTHORIZED BY METSO AUTOMATION USA, INC. UNLESS OTHERWISE NOTED DIMENSIONING, TOLERANCING & FINISHING INTERPRETATION IS IN ACCORDANCE WITH ASME Y14.5M 2009. ANGLES - 45° FINISH - 250. FORMING SURFACE DIMENSIONS TO 2-438 DIMENSIONS ON OTHER SURFACES DIMENSIONS IN INCHES.

MATERIAL CODE	MATERIAL TYPE	MATERIAL SPECIFICATIONS	RIGHT MARK
REGISTRATION	MAKE FROM PART NO.	DO NOT SCALE DRAWING	SCALE NONE
TITLE:	6" WSRR CORN SYRUP W / HANDLE MOD: 6		DATE 4/28/10
DRAWN	DATE	APPROV	DATE
SRB	4/28/10	DRE	4/29/10
SIZE	DWG NO	REV	
D	5496	A	

METSO AUTOMATION USA, INC.
SHREWSBURY, MASSACHUSETTS

SHEET 1 OF 2

REV	DATE	APP'D	DRAWN	REVISION
A	5/28/11	DRE	SRB	
A	4/23/12			



THIS DRAWING AND ALL INFORMATION CONTAINED HEREIN ARE THE PROPERTY OF METSO AUTOMATION USA, INC. AND ARE NOT TO BE USED EXCEPT AS SHOWN ON THIS DRAWING.

UNLESS OTHERWISE NOTED DIMENSIONING, TO BE BLANKING & GRADING INTERPRETATION IS IN ACCORDANCE WITH ASME Y14.5M.

ANGLES = .5° FINISH 259

ROUNDING SHALL BE AS SHOWN IN A-2-33 UNLESS OTHERWISE DIMENSIONED IN NOTES.

MATERIAL		MATERIAL SPECIFICATIONS		SCALE	
CODE	TYPE	NAME FROM PART NO.	DO NOT SCALE DRAWING	SCALE	UNIT
				NONE	MMK
SPECIFICATIONS TO BE USED IN THIS DRAWING					
TITLE:					
6" WSRP					
CORN SYRUP W / HANDLE					
MOD. 6					
DATE	DATE	DATE	DATE	DATE	DATE
	4/28/11	SRB	4/28/11	DRE	4/28/11
SIZE	SCALE NO	DATE	DATE	DATE	DATE
D	5496				
METSO AUTOMATION USA, INC.					
SHEWSBURY, MASSACHUSETTS					
SHEET 2 OF 2					