

Junction Module (JM™) Enclosure with:



AS-Interface Repeater and Power Conditioner (redundant) Modules (JMX01)

The AS-Interface Repeater extends the AS-Interface network by an additional 100 meters. The Repeater requires no configuration and has no address on the bus.

The Power Conditioner converts any 30 VDC power supply to an AS-Interface Power Supply by providing the data decoupling function.

Can be used to power an AS-Interface segment with redundant power supplies.

Features

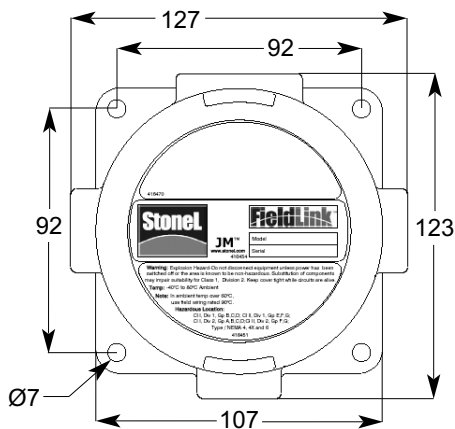
- LED indication for bus segments power status and input voltage status
- Repeater is unidirectional (network segments can be landed on either side)
- Allows for redundant power supplies to power a single AS-Interface segment
- Extra termination points for convenient wiring.

(See Page 3 detailed wiring instructions)

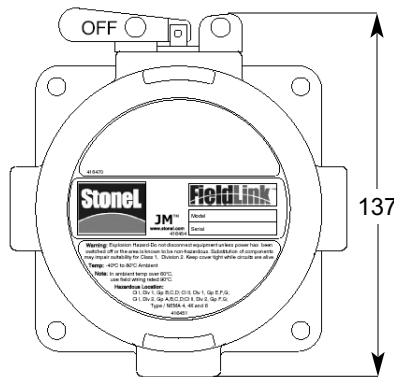


JM Enclosure Dimensions (in mm)

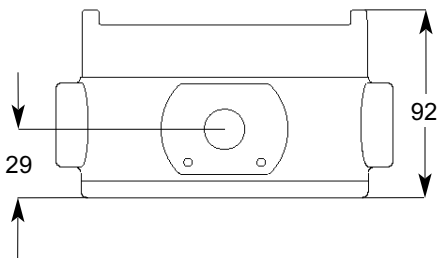
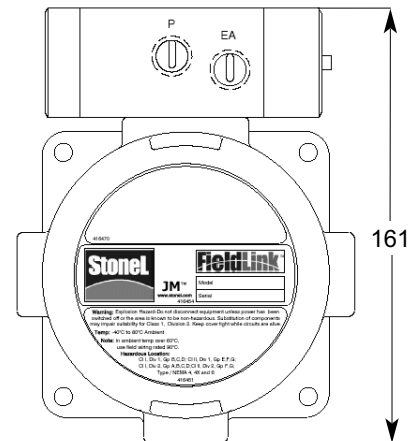
Standard Enclosure



Switched Enclosure



Enclosure w/Cyclone Valve



© 2001 Stonel Corporation

Stonel Corporation
 One Stonel Dr
 26275 US Hwy 59
 Fergus Falls, MN 56537
 USA

Telephone: 218.739.5774
 Toll Free: 800.843.7866
 Fax: 218.739.5776
 E-mail: sales@stonel.com
 Website: www.stonel.com

Example: JMX0111EN

Function		Solenoid	Enclosure	Conduit Entries
JM X01	AS-I Repeater and Power Conditioner (redundant)	11 No Solenoid (Not available with solenoid)	C Clear Cover E Epoxy Coated Aluminum	3 (3) 1/2" NPT N (4) 1/2" NPT 6 (3) M20 M (4) M20 9 (3) 3/4" NPT T (4) 3/4" NPT

General Specifications

Operating Life	Unlimited	Temperature Range	-40° to +80° C (-23° to 180° F)
Materials of Construction		Enclosure Protection	NEMA 4, 4X & 6; IP67
Housing and Cover	Marine grade anodized aluminum epoxy coating	Hazardous Area Ratings	
Clear Cover	Lexan® Polycarbonate	Explosion Proof (Aluminum Cover)	Class I, Div. 1 and 2, Groups B,C,D
Elastomer Seals	Buna-N		Class II, Div. 1 and 2, Groups E,F,G
Fasteners	Stainless Steel	Non-incendive (Clear Cover)	Class I, Div. 2, Groups A,B,C,D
Warranty			Class II, Div. 2, Groups E,F,G
Complete Assemblies	Two Years		(Not all units carry approvals, consult factory)

Lexan is a registered trademark of General Electric Corporation.

Mounting Instructions

Mounting The JM Enclosure

1. Locate the position where the JM enclosure will be mounted. Ensure that there is sufficient room to operate the disconnect switch levers and to remove the cover.
2. Attach the JM enclosure to a wall or other stationary flat surface using the mounting holes provided.
3. Secure the cover until hand tight

Attaching Conduit and Fittings

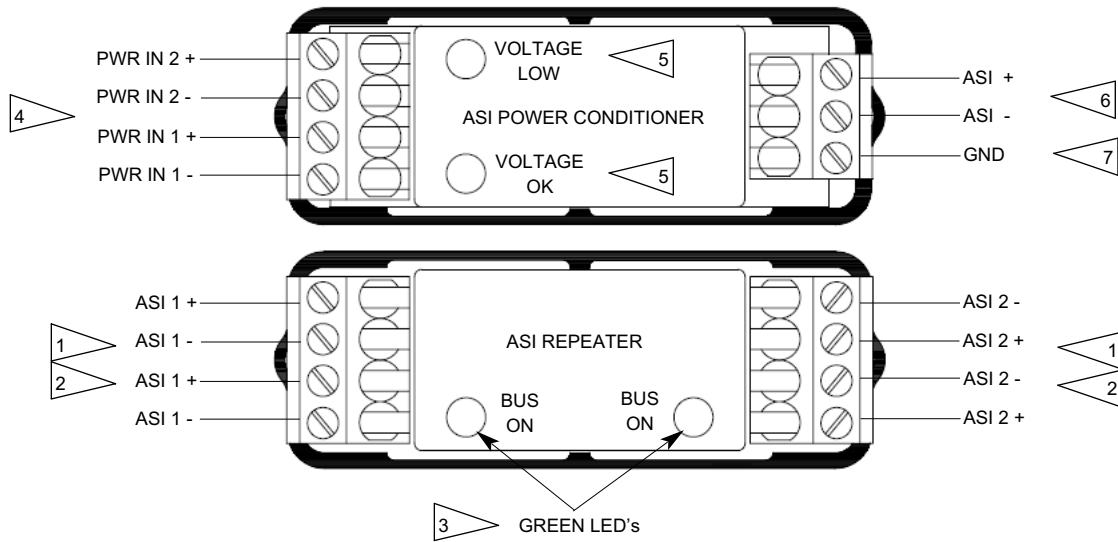
1. Conduit entries are provided for the convenient attachment of threaded conduit and threaded conduit fittings. Attach threaded fittings and conduits securely.
2. Follow all applicable NEC codes and other regulations.

Installing & Removing Cover

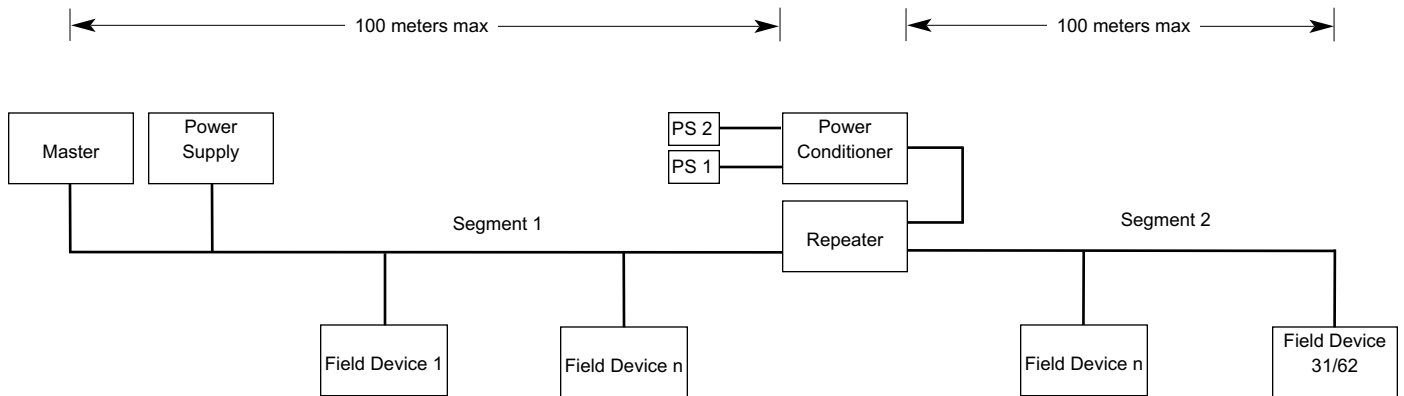
1. To insure NEMA 4, 4X, 6 and hazardous location ratings are maintained the cover **must be** completely closed and the O-Ring sealed to keep out water.

AS-Interface Repeater and Power Conditioner Specifications

AS-Interface Repeater		AS-Interface Power Conditioner	
Operating Voltage	AS-Interface voltage	Input Voltage	26-32 VDC
Max Voltage	31.6 VDC	Max Voltage	35 VDC
Current Usage	60mA (per segment), 120mA total	Max Current	3 Amps
AS-Interface Cycle Time	0.15ms x (number of slaves + 1)	Indication	Green LED indicates input power is good (≥ 26 VDC)
LED Indication	Bus Power On (both segments)		Red LED indicates input power is low (< 26 VDC)



Typical AS-Interface Network using an ASi Repeater and Power Conditioner



INSTALLATION NOTES:

1. The AS-Interface Repeater is bidirectional. Segment 1 can be connected to either the ASI 1 or ASI 2 side with Segment 2 being connected to the opposite side of Segment 1.
2. Redundant terminal points on both ASI 1 and ASI 2 sides for convenient wiring of the required AS-Interface power supply when adding an additional network segment (100m max). Each pair of ASI1 +/- and ASI2 +/- are connected internally in the Repeater.
3. Green LED's indicating that AS-Interface power is applied to the corresponding segment.
4. Single or redundant input power supply connection points. (30 VDC; 3 A (max) power supplies recommended). Power Supply 1 and Power Supply 2 inputs are diode isolated
5. Input power supply voltage monitoring LED's. Voltage OK (Green LED) indicates input voltage is good (≥ 26 VDC). Voltage Low (Red LED) indicates input voltage is low (< 26 VDC)
6. AS-Interface network segment connection points.
7. Earth ground connection point. Do not use as a data cable shield termination point.