

FieldBlock Nonincendive™ Enclosure (FN) with:



AS-Interface (1-6) Passive Drop Connector (FNT02___)



StoneL Corporation
One StoneL Dr
26271 US Hwy 59
Fergus Falls, MN 56537
USA

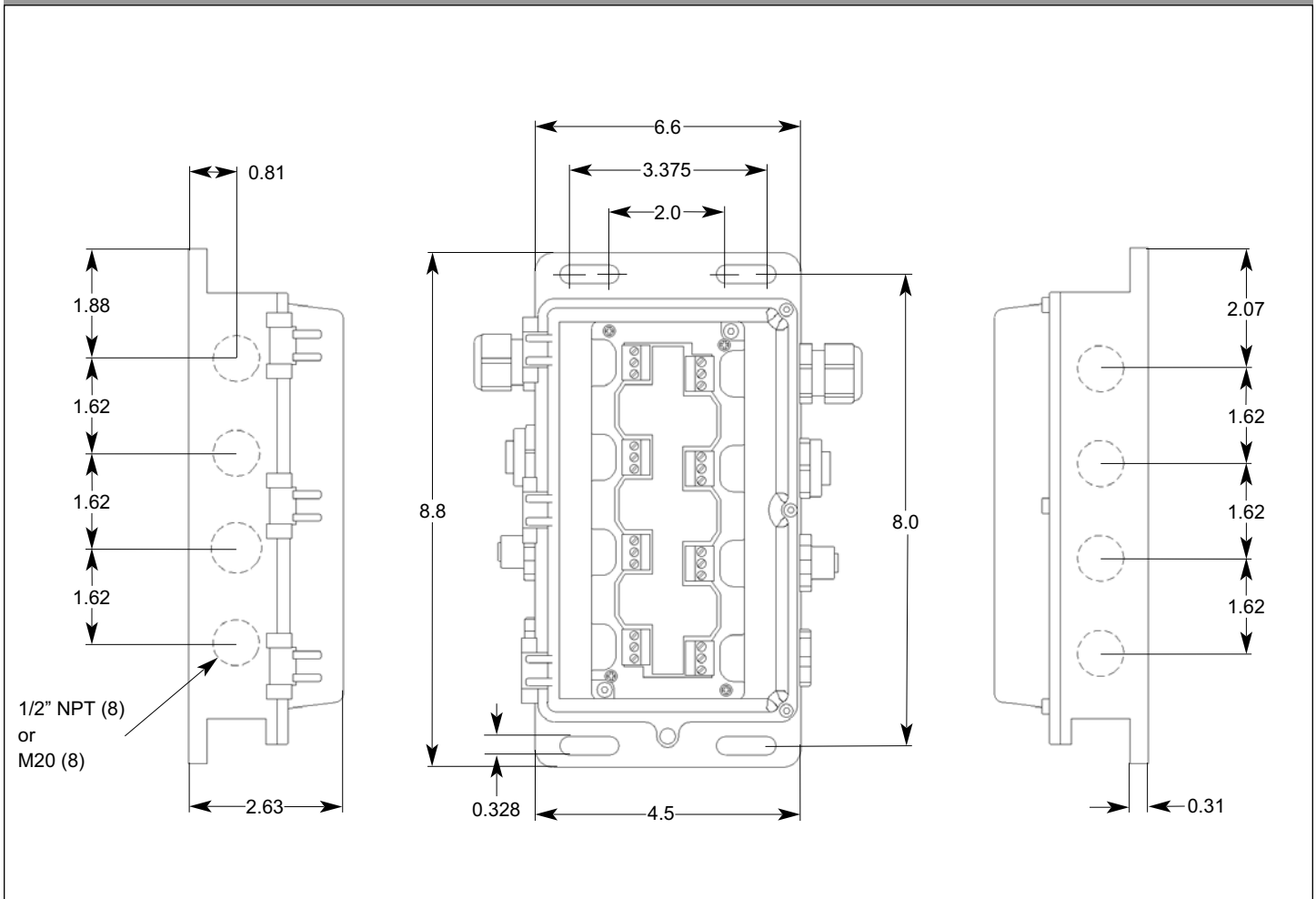
Telephone: 218.739.5774
Toll Free: 800.843.7866
Fax: 218.739.5776
E-mail: sales@stonel.com
Website: www.stonel.com

| | Function | Enclosure | Entry Options | Brand | Options |
|----|---|---|---|--------------------------------|---------------------|
| FN | T02 Passive Drops, AS-Interface (Bus In/Out and (6) Drops) | C North American (NEC/CEC) D International (IEC) | P01 - (8) 1/2" NPT Conduit Entries P02 - (8) M20 Conduit Entries G01 - (8) Cable Glands N01 - (8) 4-Pin Mini Connectors (1-Male; 7-Female) M01 - (8) 4-Pin Micro Connectors (1-Male; 7-Female) C01 - (2) 1/2" NPT Conduit Entries; (6) Cable Glands C02 - (2) 1/2" NPT Conduit Entries; (6) 4-Pin Mini Connectors C04 - (2) 1/2" NPT Conduit Entries; (6) 4-Pin Micro Connectors | A StoneL M Metso N Neles | _***** (Special) |

General Specifications

| | | | |
|----------------------------------|--------------------------------|-----------------------------|---------------------------------|
| Materials of Construction | | Operating Life | Unlimited |
| Housing | Epoxy Coated Anodized Aluminum | Temperature Range | -40° to +80° C (-40° to 176° F) |
| Cover | Polycarbonate | Enclosure Protection | NEMA 4, 4X & 6; IP67 |
| Elastomer Seals | Silicone | Warranty | Two Years |
| Fasteners | Stainless Steel | | |

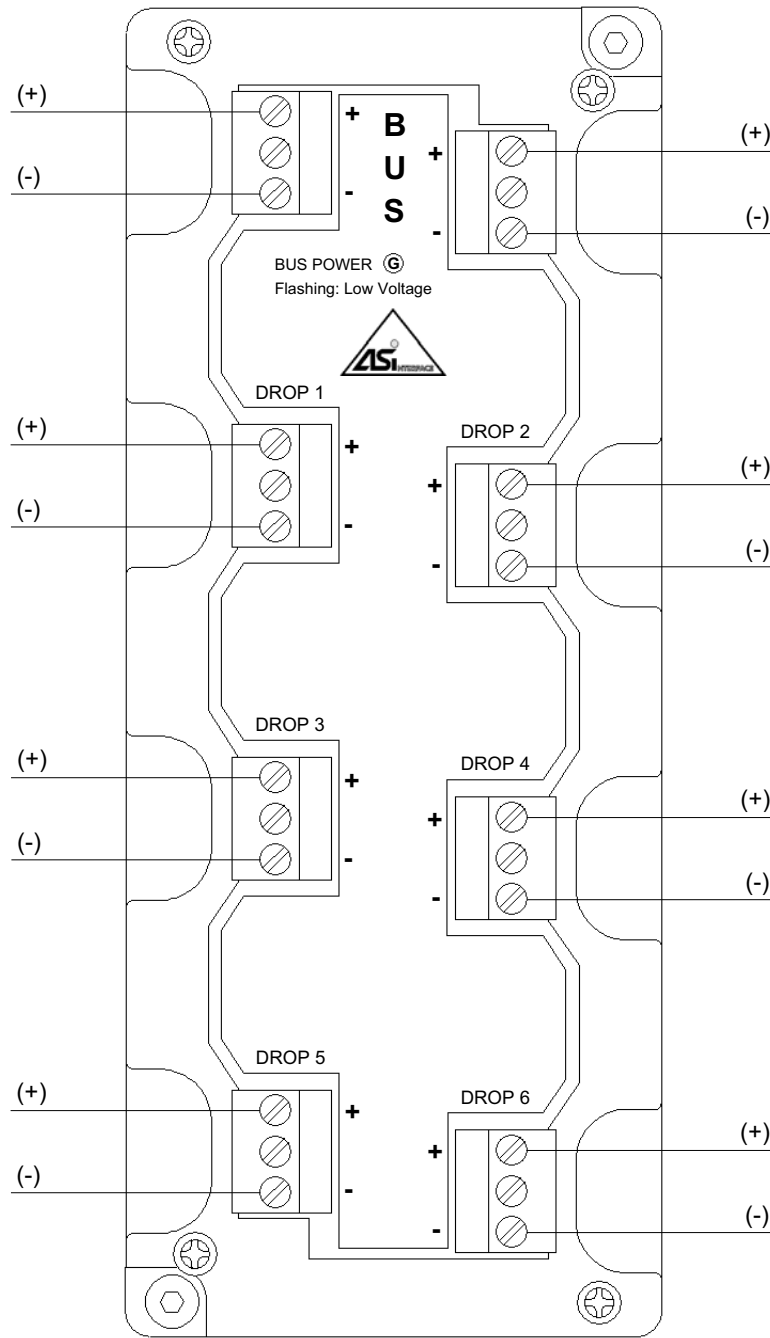
Dimensions (in inches)



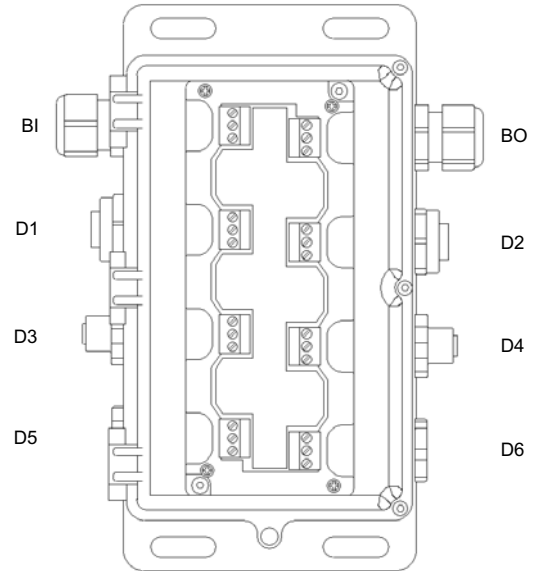
AS-Interface Passive Drop Connector

Bus in, Bus out, and (6) Passive Drops for AS-Interface networks.

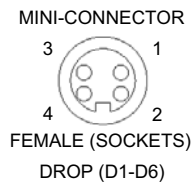
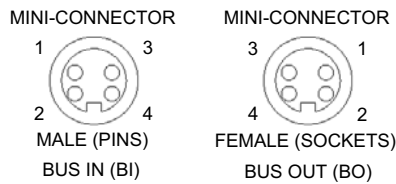
| | | | |
|-------------------|----------------------|----------------------|---|
| Voltage Range | 35VDC | Current Consumption | 20mA max |
| Operating Voltage | AS-Interface Voltage | Voltage Drop (Trunk) | Negligible |
| Current Rating | 8 Amps | Voltage Drop (Spur) | Negligible |
| Break Current | None | LED Display: | BUS POWER, Green LED (Flashing = low voltage) |
| Reset Current | None | | |



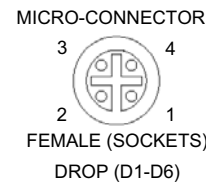
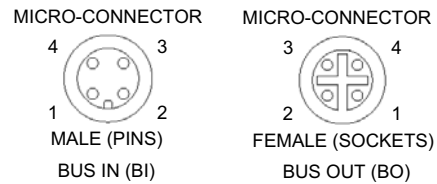
| FNT02*** | | | | | |
|----------------------------|---------------|------------|------------|------------|------------|
| BUS IN (BI) & BUS OUT (BO) | | | | | |
| PIN | WIRE COLOR | FNT02_N01_ | FNT02_M01_ | FNT02_C02_ | FNT02_C04_ |
| 1 | BROWN | (+) | (+) | N/A | N/A |
| 2 | No Connection | NOT USED | NOT USED | N/A | N/A |
| 3 | BLUE | (-) | (-) | N/A | N/A |
| 4 | No Connection | NOT USED | NOT USED | N/A | N/A |
| DROPS (D1- D6) | | | | | |
| 1 | BROWN | (+) | (+) | (+) | (+) |
| 2 | No Connection | NOT USED | NOT USED | NOT USED | NOT USED |
| 3 | BLUE | (-) | (-) | (-) | (-) |
| 4 | No Connection | NOT USED | NOT USED | NOT USED | NOT USED |



MINI RECEPTACLES



MICRO RECEPTACLES (M12)



FNT02 Mounting Instructions

Mounting The FieldBlock Enclosure

1. Locate the position where the FieldBlock enclosure will be mounted. Ensure that hinged cover of the unit will have sufficient clearance to be opened.
2. Attach the FieldBlock enclosure to a wall or other stationary flat surface using the mounting holes provided.

Attaching Cables and Connectors

1. Cable glands and connectors are provided for convenient wiring. Ensure all connections are securely tightened.
2. Follow all applicable NEC codes and other regulations.

Installing & Removing Cover

1. To insure NEMA 4, 4X and 6 ratings are maintained the cover **must be** completely closed and the gasket sealed to keep out water.
2. Tighten cover screws to 05-30 inch lbs.