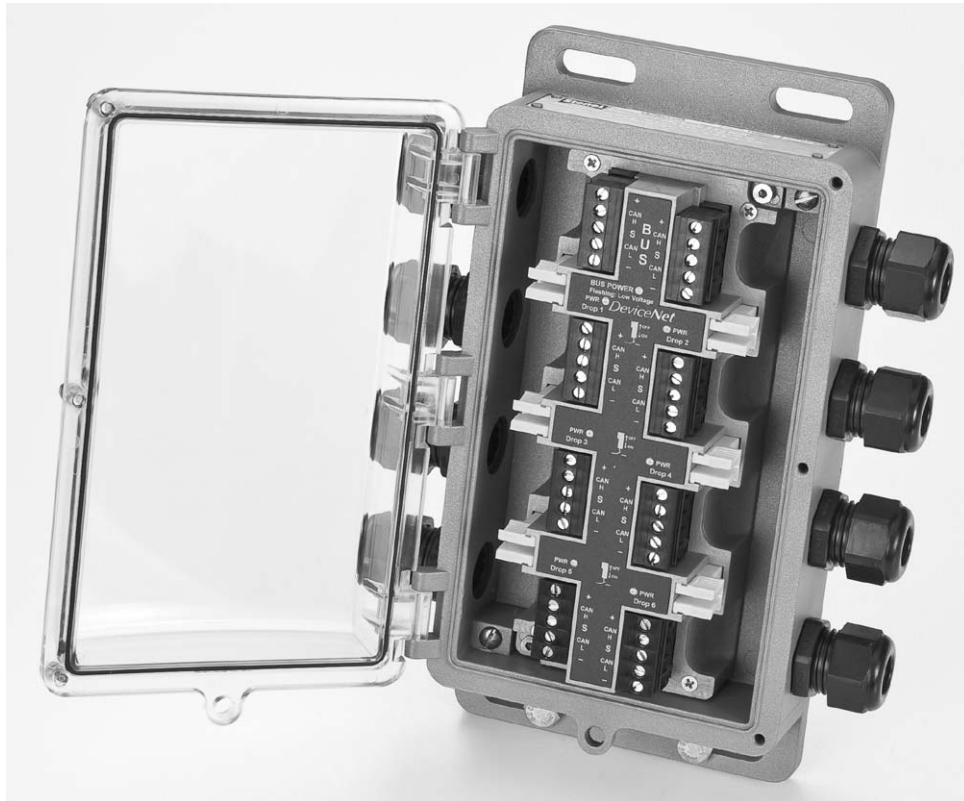


FieldBlock Nonincendive™ Enclosure (FN) with:

**DeviceNet** (1-6) Passive Drop Connector (FNT06\_\_\_)



© 2008 StoneL Corporation

**StoneL Corporation**  
One StoneL Dr  
26271 US Hwy 59  
Fergus Falls, MN 56537  
USA

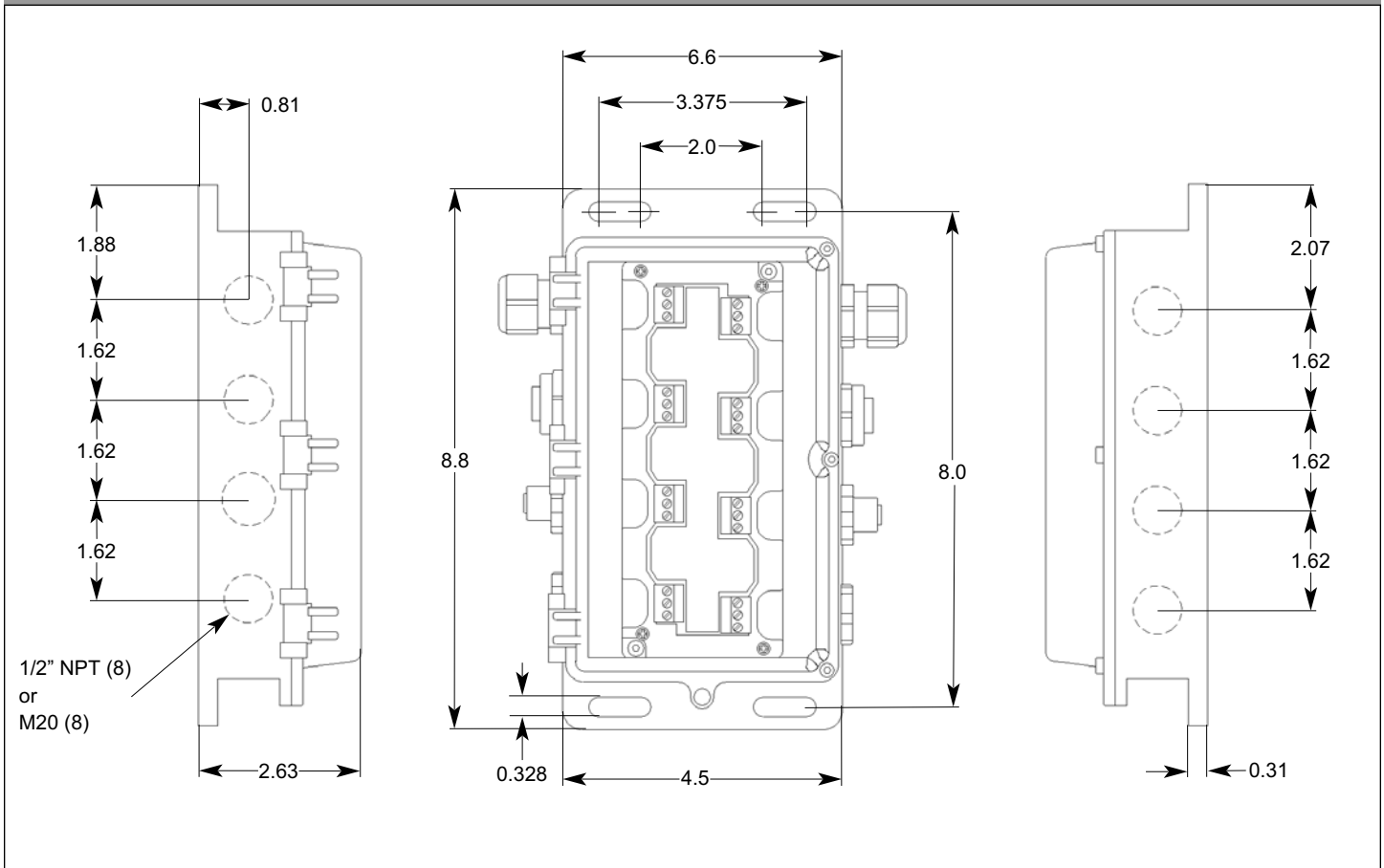
Telephone: 218.739.5774  
Toll Free: 800.843.7866  
Fax: 218.739.5776  
E-mail: [sales@stonel.com](mailto:sales@stonel.com)  
Website: [www.stonel.com](http://www.stonel.com)

	Function	Enclosure	Entry Options	Brand	Options
FN	T06 Passive Drops, DeviceNet (Bus In/Out and (6) Drops)	C North American (NEC/CEC) D International (IEC)	P01 - (8) 1/2" NPT Conduit Entries P02 - (8) M20 Conduit Entries G01 - (8) Small Cable Glands G02 - (2) Large Cable Glands (6) Small Cable Glands N02 - (8) 5-Pin Mini Connectors (1-Male; 7-Female) M02 - (8) 5-Pin Micro Connectors (1-Male; 7-Female) C01 - (2) 1/2" NPT Conduit Entries; (6) Cable Glands C03 - (2) 1/2" NPT Conduit Entries; (6) 5-Pin Mini Connectors C05 - (2) 1/2" NPT Conduit Entries; (6) 5-Pin Micro Connectors	A StoneL M Metso N Neles	_***** (Special)

**General Specifications**

<b>Materials of Construction</b>		<b>Operating Life</b>	Unlimited
Housing	Epoxy Coated Anodized Aluminum	<b>Temperature Range</b>	-40° to +80° C (-40° to 176° F)
Cover	Polycarbonate	<b>Enclosure Protection</b>	NEMA 4, 4X & 6; IP67
Elastomer Seals	Silicone	<b>Warranty</b>	Two Years
Fasteners	Stainless Steel		

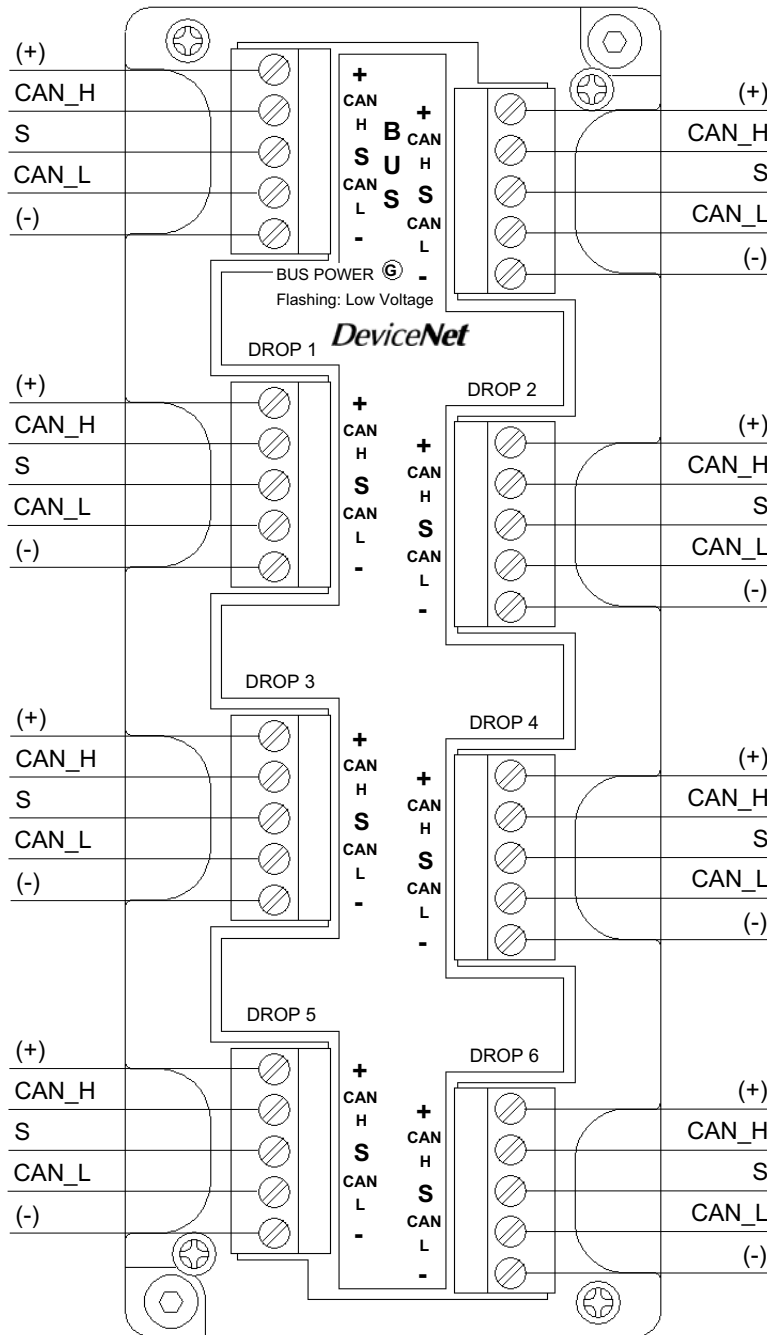
**Dimensions (in inches)**



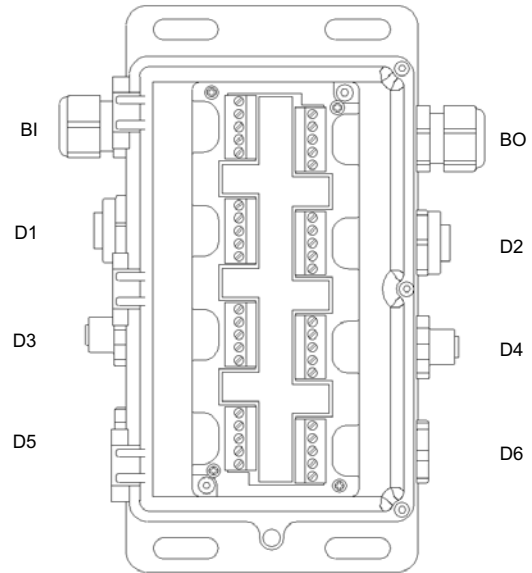
## DeviceNet Passive Drop Connector

Bus in, Bus out, and (6) Passive Drops for DeviceNet networks.

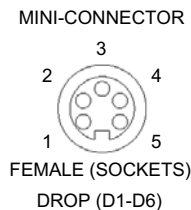
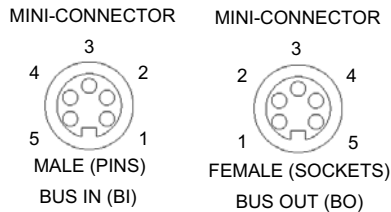
Voltage Range	35VDC	Current Consumption	10mA max
Operating Voltage	DeviceNet Voltage	Voltage Drop (Trunk)	Negligible
Current Rating	8 Amps	Voltage Drop (Spur)	Negligible
Break Current	None	LED Display:	BUS POWER, Green LED (Flashing = low voltage)
Reset Current	None		



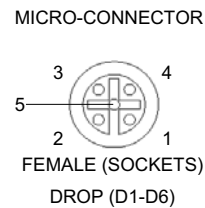
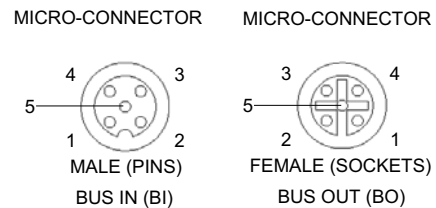
FNT06***					
BUS IN (BI) & BUS OUT (BO)					
PIN	WIRE COLOR	FNT06_N02_	FNT06_M02_	FNT06_C03_	FNT06_C05_
1	BROWN	Shield	Shield	N/A	N/A
2	WHITE	V +	V +	N/A	N/A
3	BLUE	V -	V -	N/A	N/A
4	BLACK	CAN_H	CAN_H	N/A	N/A
5	GRAY	CAN_L	CAN_L	N/A	N/A
DROPS (D1 - D6)					
1	BROWN	Shield	Shield	Shield	Shield
2	WHITE	V +	V +	V +	V +
3	BLUE	V -	V -	V -	V -
4	BLACK	CAN_H	CAN_H	CAN_H	CAN_H
5	GRAY	CAN_L	CAN_L	CAN_L	CAN_L



### MINI RECEPTACLES



### MICRO RECEPTACLES (M12)



## FNT06 Mounting Instructions

### Mounting The FieldBlock Enclosure

1. Locate the position where the FieldBlock enclosure will be mounted. Ensure that hinged cover of the unit will have sufficient clearance to be opened.
2. Attach the FieldBlock enclosure to a wall or other stationary flat surface using the mounting holes provided.

### Attaching Cables and Connectors

1. Cable glands and connectors are provided for convenient wiring. Ensure all connections are securely tightened.
2. Follow all applicable NEC codes and other regulations.

### Installing & Removing Cover

1. To insure NEMA 4, 4X and 6 ratings are maintained the cover **must be** completely closed and the gasket sealed to keep out water.
2. Tighten cover screws to 05-30 inch lbs.