

## Input/output modules

Model number  
**IM461007A**  
**IM465012A (DIN)**

This I/O module is designed to function as a DeviceNet node (group 2 slave) with termination points for connecting switches/sensors as well as output devices such as solenoid valves and relays. Outputs can be configured to fail on or off.

### Inputs and outputs

- Two (2) discrete inputs
- Two (2) discrete outputs
- One (1) analog (4 to 20 mA) input

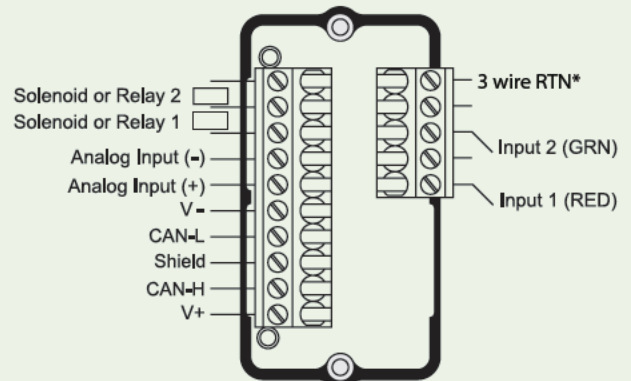
### Other data

- Pre-determined output fail state



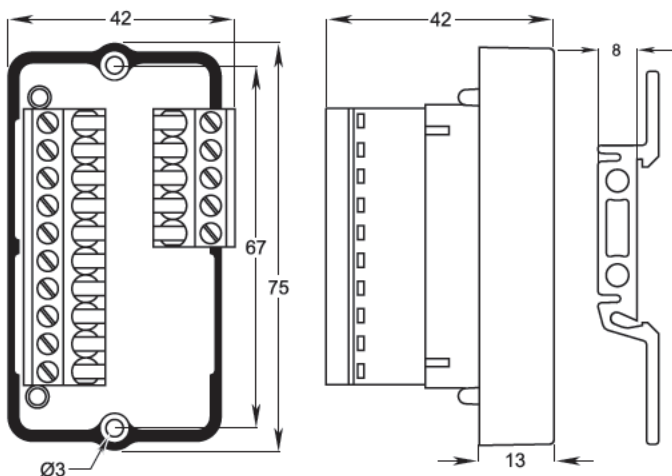
Specifications	
Discrete inputs	(2) 7 mA @ 24 VDC gold contact mechanical, low power reed, or proximity sensor
Discrete outputs	(2) 24 VDC (4 watts total power available)
Analog input	(1) Analog (4-20 mA) input 10-bit resolution (0.1%)
Operating voltage	24 VDC via DeviceNet voltage
Current consumption	< 60 mA (with no outputs energized)
Indication	(2) LEDs indicate discrete input status (red/green)
Data rate	125, 250, 500 Kb/s
Dimensions (L, W, H)	75mm, 42mm, 42mm
Housing	Engineered resin
Operating temperature	-40° to +80°C (-40° to +176°F)

### Wiring diagram



*\*Only for use with 3 wire PNP sensors*

### Dimensions (mm)



*DIN rail clip only applies to DIN models.*

### DeviceNet features

Device type	Generic
Explicit peer-to-peer messaging	N
I/O peer-to-peer messaging	N
Configuration consistency value	N
Faulted node recovery	N
Baud rates	125K, 250K, 500K
Master/scanner	N

### I/O slave messaging

Device type	Generic
Bit strobe	N
Polling	Y
Cyclic	Y
Change of state	Y



Valmet's professionals around the world work close to our customers and are committed to moving our customers' performance forward – every day.

**Valmet Flow Control Oy**

Vanha Porvoontie 229  
01380 Vantaa, Finland  
flowcontrol@valmet.com  
+358 10 417 5000  
valmet.com/flowcontrol

**Valmet Flow Control Inc.  
Stonel product center**

26271 US Hwy 59, Fergus Falls, MN 56537 USA.  
Tel. +1 218 739 5774.  
sales.stonel@valmet.com  
valmet.com/flowcontrol

