

Input/output modules

Model number
IM461052A
IM465014A (DIN)



Input/bus powered output module

This I/O module is designed to function as a Foundation Fieldbus node with termination points for connecting switches/sensors as well as output devices such as solenoid valves and relays. Outputs can be configured to fail on or off.

Inputs and outputs

- Two (2) discrete inputs
- Two (2) discrete outputs

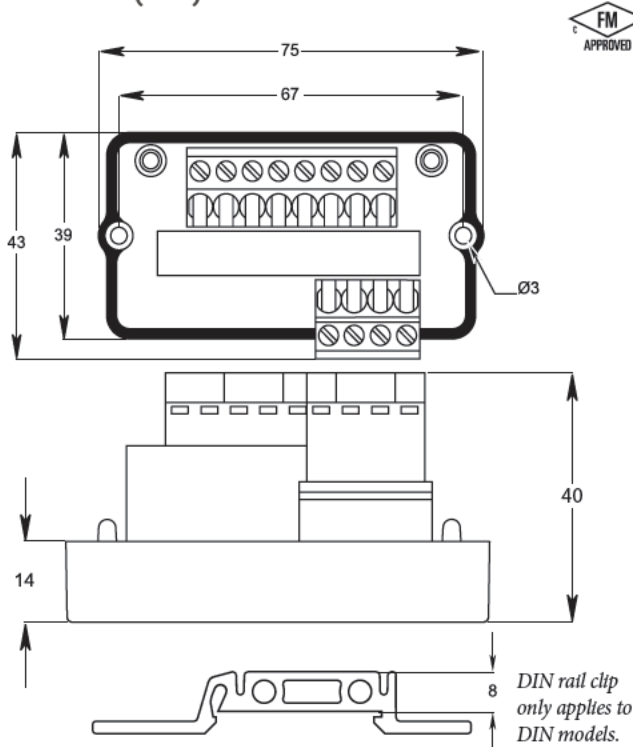
Features

- Pre-determined output fail state

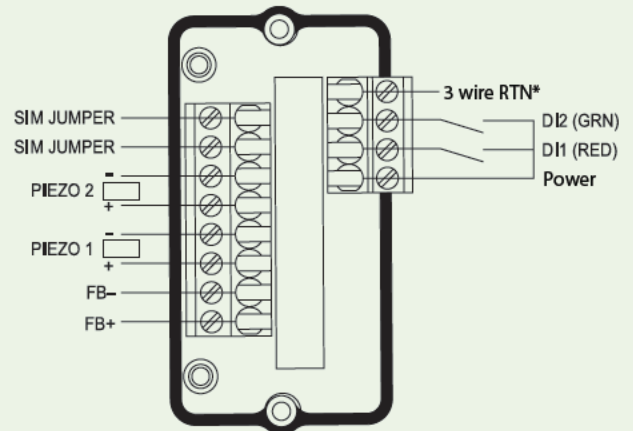


Specifications	
Discrete inputs	(2) 6.5 VDC < .045 mA, must be low power dry contact capable of operating at < .045 mA @ 6.5 VDC or solid state pnp capable of operating at 6.5 VDC and < 1 mA
Discrete outputs	(2) 6.5 VDC 2 mA. Suitable for Stonel piezo valve
Operating voltage	9 to 32 VDC via Foundation Fieldbus voltage
Current consumption	< 17 mA
Indication	(2) LEDs indicate discrete input status (red/green)
Data rate	31.25 Kb/s
Dimensions (L, W, H)	75mm, 43mm, 42mm
Housing	Engineered resin
Operating temperature	-40° to +80°C (-40° to +176°F)

Dimensions (mm)



Wiring diagram



**Only for use with 3 wire PNP sensors*



Valmet's professionals
around the world work close
to our customers and are
committed to moving our
customers' performance
forward – every day.

Valmet Flow Control Oy

Vanha Porvoontie 229
01380 Vantaa, Finland
flowcontrol@valmet.com
+358 10 417 5000
valmet.com/flowcontrol

**Valmet Flow Control Inc.
Stonel product center**

26271 US Hwy 59, Fergus Falls, MN 56537 USA.
Tel. +1 218 739 5774.
sales.stonel@valmet.com
valmet.com/flowcontrol

