

## Drop connectors

Model number  
**DR461119A**  
**DR465010A (DIN)**



### Protected drop switch (1 drop)

This disconnect switch is a compact, drop connector for wiring Profibus-DP/Modbus networks. It has a disconnect switch that allows the user to disconnect a drop from the trunk. This device also provides current limiting on the power leg to prevent power losses.

#### Features

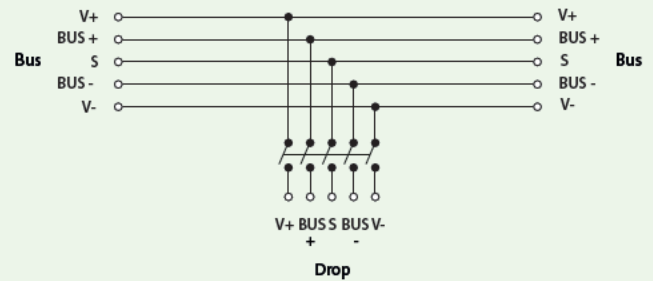
- Current limit on power drop
- Direct mount or DIN rail mount available



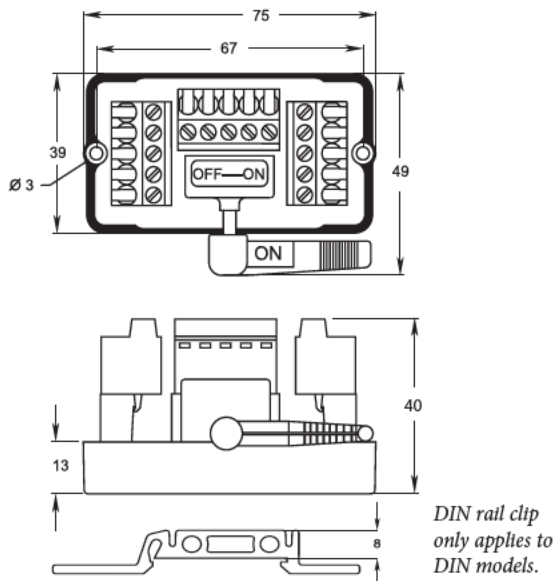
Specifications	
Protocol	Profibus-DP
Maximum voltage	35 VDC
Maximum current (trunk)	8 amps
Voltage drop (trunk)	Negligible
Voltage drop (drop)	< 1V
Trip current (drop)	200 mA
Holding current (after trip)	28 mA
Reset current level	Current falls below 28 mA
Maximum devices per drop	1
Current consumption	None
Dimensions (L, W, H)	75mm, 49mm, 40mm
Housing	Engineered resin
Operating temperature	-40° to +80°C (-40° to +176°F)



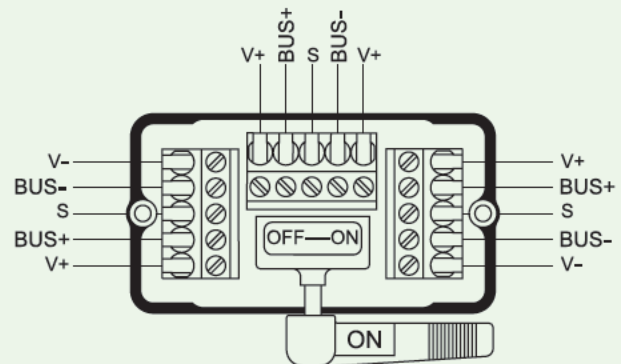
### Schematic drawing



### Dimensions (mm)



### Wiring diagram





Valmet's professionals around the world work close to our customers and are committed to moving our customers' performance forward – every day.

**Valmet Flow Control Oy**

Vanha Porvoontie 229  
01380 Vantaa, Finland  
flowcontrol@valmet.com  
+358 10 417 5000  
valmet.com/flowcontrol

**Valmet Flow Control Inc.  
Stonel product center**

26271 US Hwy 59, Fergus Falls, MN 56537 USA.  
Tel. +1 218 739 5774.  
sales.stonel@valmet.com  
valmet.com/flowcontrol

