

Input/output modules

Model number
IM461134A
IM465027A (DIN)



Input/externally powered (24VDC) output module

This I/O module is designed to function as a Foundation Fieldbus node with termination points for connecting switches/sensors as well as output devices such as solenoid valves and relays. Outputs can be configured to fail on or off.

Inputs and outputs

- Two (2) discrete inputs (LED indication)
- Two (2) discrete 24VDC outputs (externally powered)

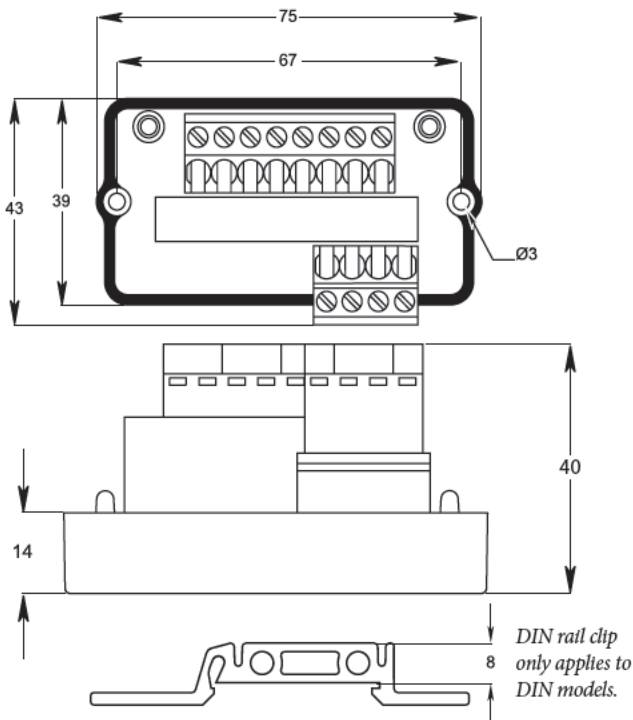
Features

- Pre-determined output fail state
- Date of last service

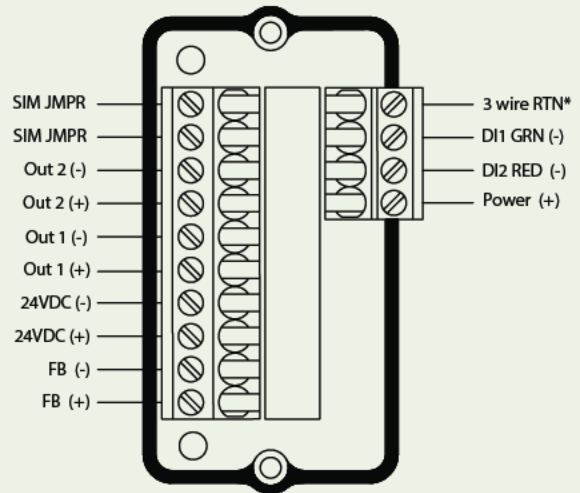


| Specifications | |
|-----------------------|--|
| Discrete inputs | (2) 6.5 VDC < .045 mA, must be low power dry contact capable of operating at < .045 mA @ 6.5 VDC or solid state pnp capable of operating at 6.5 VDC and < 1 mA |
| Discrete outputs | (2) 24 VDC (4 watts total power) |
| Operating voltage | 9 to 32 VDC via Foundation Fieldbus voltage |
| Current consumption | < 17 mA from Foundation Fieldbus |
| Indication | (2) LEDs indicate discrete input status (red/green) |
| External voltage | 24 VDC via external power |
| Data rate | 31.25 Kb/s |
| Dimensions (L, W, H) | 75mm, 43mm, 40mm |
| Housing | Engineered resin |
| Operating temperature | -40° to +80°C (-40° to +176°F) |

Dimensions (mm)



Wiring diagram



**Only for use with 3 wire PNP sensors*



Valmet's professionals around the world work close to our customers and are committed to moving our customers' performance forward – every day.

Valmet Flow Control Oy

Vanha Porvoontie 229
01380 Vantaa, Finland
flowcontrol@valmet.com
+358 10 417 5000
valmet.com/flowcontrol

**Valmet Flow Control Inc.
Stonel product center**

26271 US Hwy 59, Fergus Falls, MN 56537 USA.
Tel. +1 218 739 5774.
sales.stonel@valmet.com
valmet.com/flowcontrol

