

Repeaters/network tuners

Model number
AC461144A



AS-Interface network terminator

The AS-Interface terminator enables longer cable length and improves network communication quality. The terminator applies a fixed capacitive, inductive, and resistive component to the network to optimize communication. Signal quality should be verified by an AS-Interface analyzer.

Features

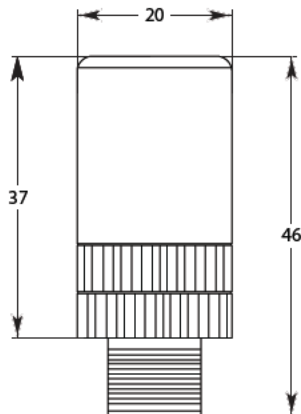
- Extend AS-i networks
- Improve signal quality
- Simple LED indication
- M12 4pin connector
- IP65 housing



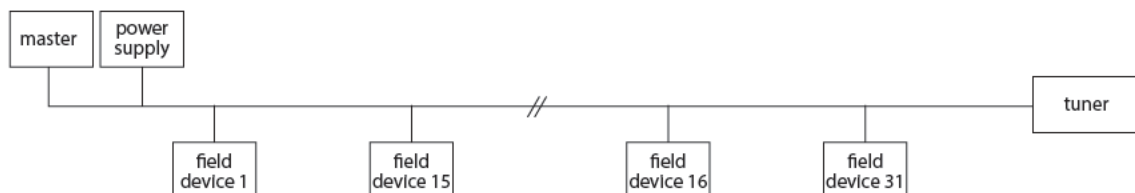
Specifications	
Device profile	Passive (no address)
Operating voltage	30 VDC AS-Interface voltage (AS-Interface power supply)
Operating current	10mA
Displays	AS-i voltage > 26V : green LED AS-i voltage > 18.5V : yellow LED
Operating temperature	0° to +55°C (+32° to +131°F)
Storage temperature	-25° to +75°C (-13° to +167°F)
Housing	Engineered resin, DIN rail mounting
Housing dimensions	20mm, 46mm (diameter, length)
Ingress protection	IP20
Weight	44g (0.10 pounds)



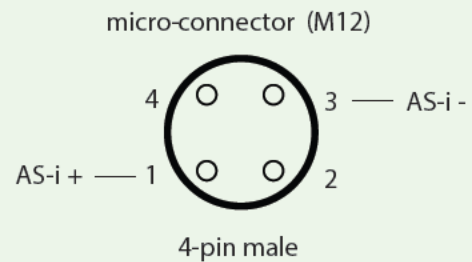
Dimensions (mm)



Network



Schematic drawing





Valmet's professionals
around the world work close
to our customers and are
committed to moving our
customers' performance
forward – every day.

Valmet Flow Control Oy

Vanha Porvoontie 229
01380 Vantaa, Finland
flowcontrol@valmet.com
+358 10 417 5000
valmet.com/flowcontrol

**Valmet Flow Control Inc.
Stonel product center**

26271 US Hwy 59, Fergus Falls, MN 56537 USA.
Tel. +1 218 739 5774.
sales.stonel@valmet.com
valmet.com/flowcontrol

