

## Drop connectors

Model number

**DR461145A**

**DR465032A (DIN)**

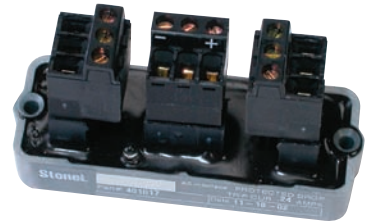


### Protected drop connector (1 drop)

Drop connectors provide a reliable, safe method of connecting slave devices to the bus cable. Protected drop connectors limit the current passing from the bus to the drop leg to prevent fault conditions on the drop from affecting the bus.

#### Features

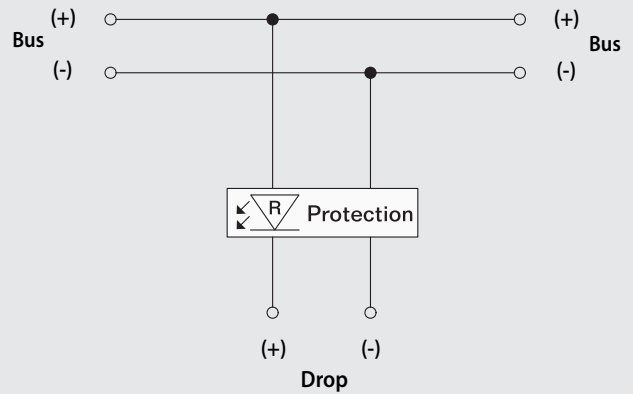
- 8 amp capacity on bus trunk line
- LED indicates drop fault
- Short circuit protection (100mA)
- Automatically resets when drop fault is cleared



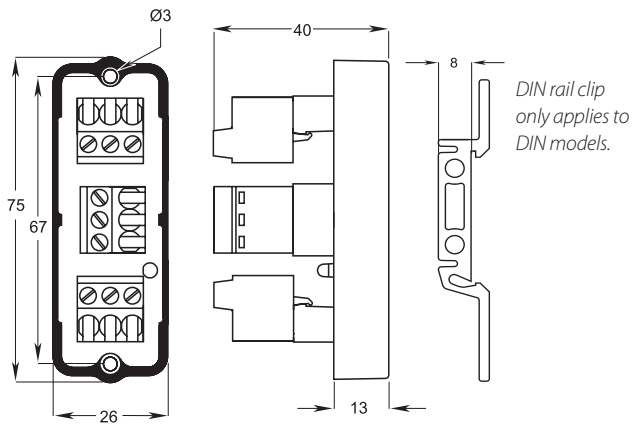
Specifications	
Maximum voltage	35 VDC
Maximum current (trunk)	8 amps
Voltage drop (trunk)	Negligible
Voltage drop (drop)	< 1V
Trip current (drop)	100 mA
Holding current (after trip)	28 mA
Reset current level	Current falls below 28 mA
Maximum devices per drop	1
Current consumption	None
Dimensions (L, W, H)	75mm, 26mm, 40mm
Housing	Engineered resin
Operating temperature	-40° to +80°C (-40° to +176°F)



### Schematic drawing



### Dimensions (mm)



### Wiring diagram

