

## Drop connectors (DIN)

Model number

**DR465044A**

Switch protected



### Multi-drop connector (6 drops)

Drop connectors provide a reliable, safe method of connecting field devices to the bus cable. Protected drop connectors limit the current passing from the bus to the drop leg to prevent fault conditions on the drop from affecting the bus. DIN rail mounting is standard.

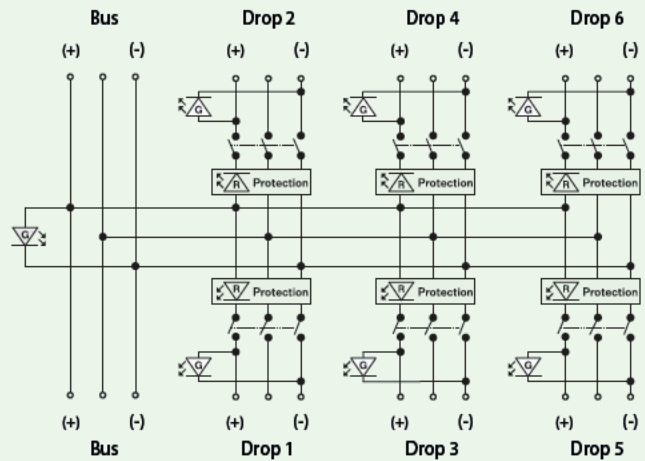
### Switched protected

- Disconnects each drop
- LEDs indicate drop fault, bus power, and drop power status
- Short circuit protection
- Automatically resets when drop fault is cleared

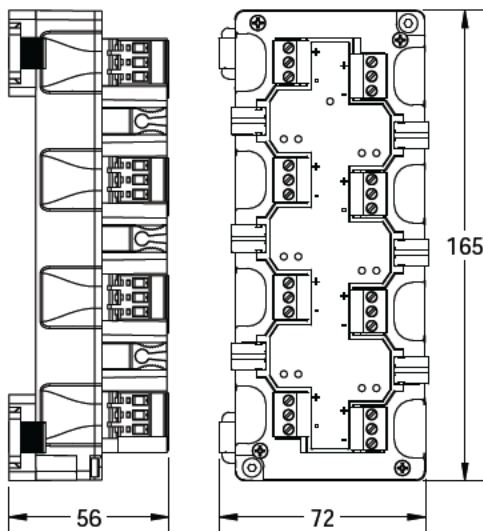


Specifications	
LED displays	Bus power on - green LED Drop power on - green LED Drop short circuit - red LED
Maximum voltage	35 VDC
Maximum current (trunk)	8 amp
Voltage drop (trunk)	Negligible
Voltage drop (drop)	1 volt maximum
Trip current (drop)	240mA
Holding current (after trip)	28mA
Reset current level	Current falls below 28mA
Current consumption	20mA for all nodes
Dimensions (L, W, H)	165mm, 72mm, 56mm
Housing	Engineered resin
Operating temperature	-40° to +80°C (-40° to +176°F)

### Schematic drawing



### Dimensions (mm)





Valmet's professionals around the world work close to our customers and are committed to moving our customers' performance forward – every day.

**Valmet Flow Control Oy**

Vanha Porvoontie 229  
01380 Vantaa, Finland  
flowcontrol@valmet.com  
+358 10 417 5000  
valmet.com/flowcontrol

**Valmet Flow Control Inc.  
Stonel product center**

26271 US Hwy 59, Fergus Falls, MN 56537 USA.  
Tel. +1 218 739 5774.  
sales.stonel@valmet.com  
valmet.com/flowcontrol

