

Drop connectors (DIN)

Model number
DR465047A
Switch protected



Multi-drop connector (6 drops)

Drop connectors provide a reliable, safe method of connecting slave devices to the bus cable. Protected drop connectors limit the current passing from the bus to the drop leg to prevent fault conditions on the drop from affecting the bus. DIN rail mounting is standard.

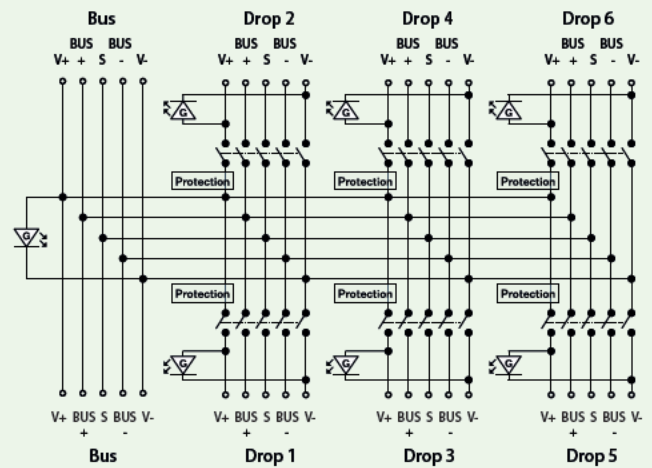
Switched protected

- Disconnects each drop
- Short circuit protection on the power leg
- LEDs indicate drop fault, bus power, and drop power status
- Automatically resets when drop fault is cleared

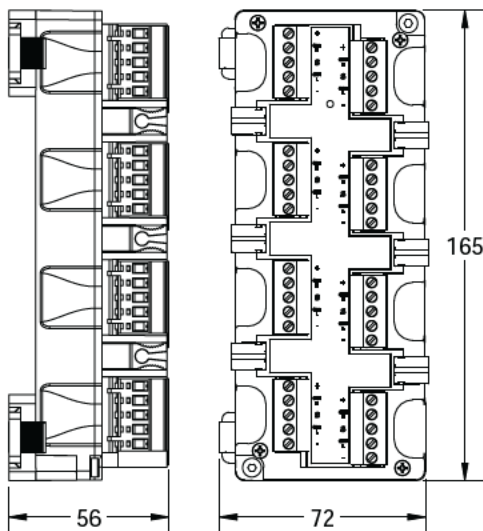


Specifications	
Protocol	Profibus-DP
LED displays	Bus power on - green LED Drop power on - green LED Drop short circuit - red LED
Maximum voltage	35 VDC
Maximum current (trunk)	8 amp
Voltage drop (trunk)	Negligible
Voltage drop (drop)	<1 Volt
Trip current (drop)	240mA (on V+)*
Holding current (after trip)	28mA
Reset current level	Current falls below 28mA
Current consumption	10mA for all nodes
Dimensions (L, W, H)	165mm, 72mm, 56mm
Housing	Engineered resin
Operating temperature	-40° to +80°C (-40° to +176°F)
*Short circuit protection only on V+. Communication wires are passive.	

Schematic drawing



Dimensions (mm)





Valmet's professionals around the world work close to our customers and are committed to moving our customers' performance forward – every day.

Valmet Flow Control Oy

Vanha Porvoontie 229
01380 Vantaa, Finland
flowcontrol@valmet.com
+358 10 417 5000
valmet.com/flowcontrol

**Valmet Flow Control Inc.
Stonel product center**

26271 US Hwy 59, Fergus Falls, MN 56537 USA.
Tel. +1 218 739 5774.
sales.stonel@valmet.com
valmet.com/flowcontrol

