

## Input/relay output modules

Model number

**IO96Y11FA**

Interlocking

**IO96W11FA (DIN)**

Interlocking

**IO96Y08FA**

Independent

**IO96W08FA (DIN)**

Independent



### Input/output module with externally-powered relay outputs

This I/O module is designed to function as an AS-Interface node with termination points for connecting switches/sensors, as well as relay outputs to operate devices like motors and other high power devices. Available with interlocked outputs to operate AC motors, or independent outputs to operate independent AC loads.

#### Features

- Four (4) discrete inputs
- Two (2) relay outputs and two (2) discrete outputs
- LED input and output displays
- Direct mount or DIN rail mount available



Specifications	
AS-Interface profile	ID = F, I/O = 7 (4DI, 4DO)
Discrete inputs	(4) 3mA @ 28VDC gold contact mechanical, low power reed, or proximity sensor
Discrete outputs (relay)	(2) 120/250VAC fused @ 2A independent for other AC loads
	(2) 120/250VAC fused @ 2A interlocked for motor operation
Bus powered outputs	(2) 28VDC (4 watts total power available)
Operating voltage	AS-Interface voltage
Current consumption	<40mA (with no outputs energized)
Indication	(4) input state LEDs (green)
	(4) output state LEDs (green)
	(1) AS-I power OK LED (green)
External voltage (relay outputs)	Up to 250 VAC; 30 VDC
Dimensions (L, W, H)	100mm, 67mm, 63mm
Housing	Engineered resin
Operating temperature	-40° to +80°C (-40° to +176°F)

### AS-Interface profile and data locations

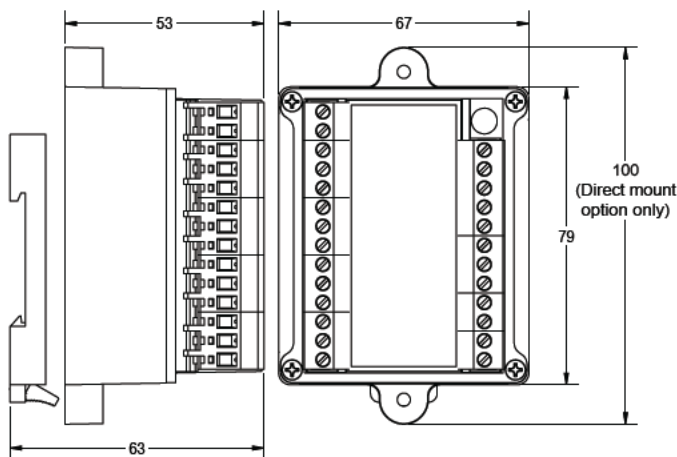
#### Input data

- Input 0 = DIO
- Input 1 = DI1
- Input 2 = DI2
- Input 3 = DI3

#### Output data

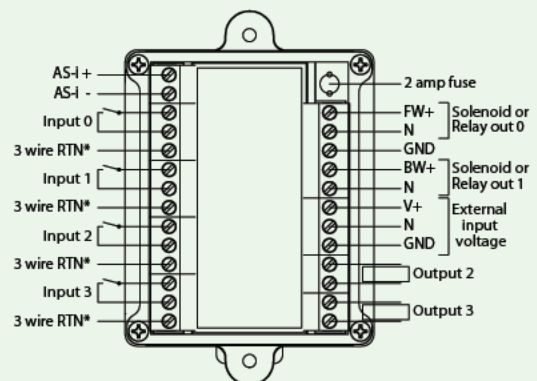
- Relay output 0 = DO0
- Relay output 1 = DO1
- Output 2 = DO2
- Output 3 = DO3

### Dimensions (mm)



DIN rail clip only applies to DIN models

### Wiring diagram



\*Only for use with 3 wire PNP sensors



Valmet's professionals around the world work close to our customers and are committed to moving our customers' performance forward – every day.

**Valmet Flow Control Oy**

Vanha Porvoontie 229  
01380 Vantaa, Finland  
flowcontrol@valmet.com  
+358 10 417 5000  
valmet.com/flowcontrol

**Valmet Flow Control Inc.  
Stonel product center**

26271 US Hwy 59, Fergus Falls, MN 56537 USA.  
Tel. +1 218 739 5774.  
sales.stonel@valmet.com  
valmet.com/flowcontrol

