

Power supplies

Model number
PS459002A



2.8 amp AS-Interface power supply

This compact power supply is designed for use with AS-Interface systems where power and data share the same wires. The 2.8 amp power supply provides power to the AS-Interface bus for operation of masters and slaves for output devices. Integrated into the supply is a power conditioner which decouples data from the power supply enabling signal and power to be carried on the same pair of wires.

Features

- NEC Class 2
- Hazardous location approvals
- Current limited/short circuit protected
- Regulated to $\pm 3\%$
- Power decoupled from communication signal

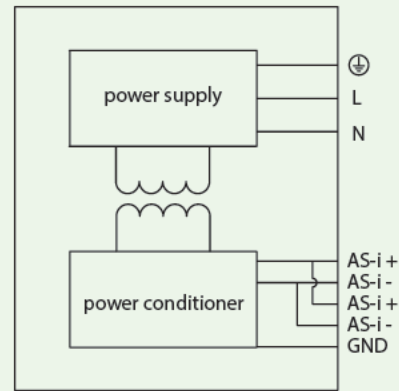


Specifications	
Output voltage	30.55 VDC $\pm 3\%$
Output current	2.8 amps (85 watts)
Output inductance	100 mH $\pm 10\%$
Input voltage	Selectable 120 / 240 VAC (47-63 Hz)
Displays	Power on, green LED
Current limits	3.2 amp (min) 4.6 amp (max)
Operating temperature	-10° to +70°C (+14° to +158°F)
Storage temperature	-25° to +85°C (-13° to +185°F)
Housing	Al/Mg alloy, DIN rail mounting
Dimensions (L, W, H)	124mm, 49mm, 112mm
Ingress protection	IP20, IP54 field enclosure required
Weight	500g (1.1 pounds)
Approvals	NEC class 2 power supply



See www.valmet.com/flowcontrol for details and certificates

Schematic drawing





Valmet's professionals around the world work close to our customers and are committed to moving our customers' performance forward – every day.

Valmet Flow Control Oy

Vanha Porvoontie 229
01380 Vantaa, Finland
flowcontrol@valmet.com
+358 10 417 5000
valmet.com/flowcontrol

**Valmet Flow Control Inc.
Stonel product center**

26271 US Hwy 59, Fergus Falls, MN 56537 USA.
Tel. +1 218 739 5774.
sales.stonel@valmet.com
valmet.com/flowcontrol

