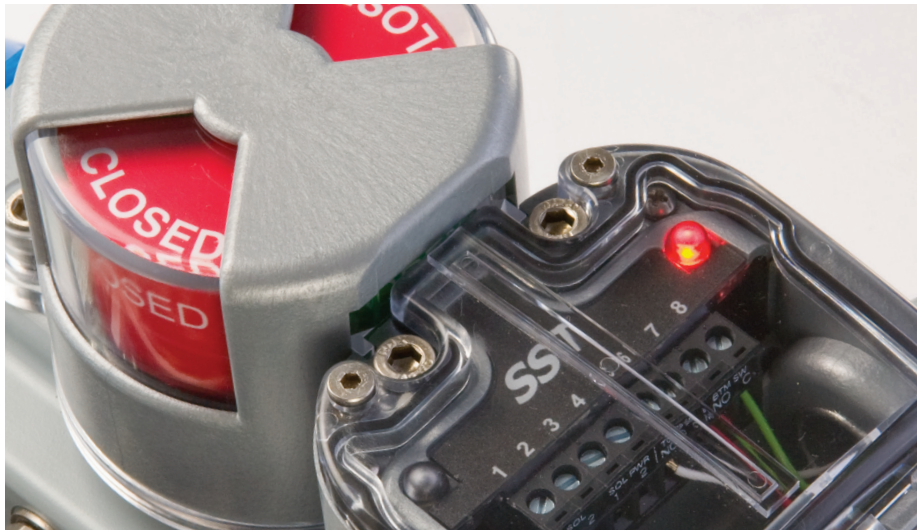


Stonel™ Eclipse™ nonincendive, I.S. & general purpose compact, modular on/off valve monitor

Series EN/EG

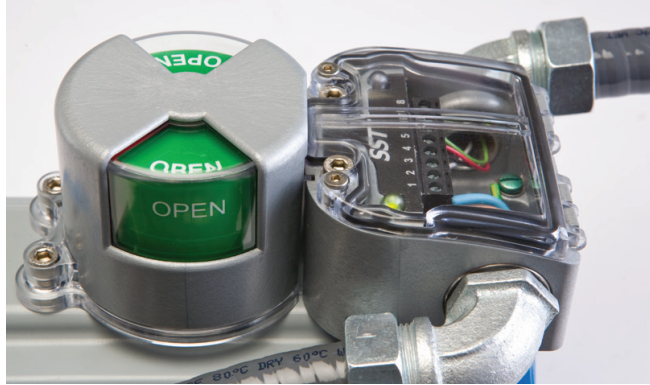


Eclipse™

Compact and modular with solid state reliability

Stonel Eclipse features dual solid state sensors with optional communications neatly integrated into a sealed module. The function module and trigger/indicator attach quickly and conveniently to standard VDI/VDE 3845 (NAMUR) actuator accessory mounting pads. The Eclipse series is available in nonincendive and intrinsically safe versions (EN) for hazardous areas and in a general purpose completely sealed micro-connector version (EG).

Enclosure options



EN: Nonincendive with integral wire termination area

- Suitable for all hazardous areas.
- Rated for Type 4, 4X, 6 (intrinsically safe and nonincendive rated: IP67).
- Additional termination points and dual conduit entries eliminate junction boxes for solenoid valve termination.
- Convenient wiring compartment and pre-labeled terminal strip enables rapid installation.



EG: General purpose with convenient micro-connector wiring

- Available with additional built-in connector for solenoid termination.
- Micro-connectors with potted and sealed enclosure eliminate any threat of moisture contamination in wiring.
- Electronic module integrated permanently into enclosure.

Features

1. **Red/green visual indicator** boldly displays valve status, and coordinates with red/green LEDs.
2. **Direct attachment** to ISO/NAMUR mounting pads with simple mounting kit (sold separately).
3. **High intensity red and green LEDs** indicate electronic switch status to confirm electrical operation.
4. **Sensor triggers** are adjustable in 3.5 degree increments through 360 degrees for precision and flexibility.
5. **Submersible** and capable of high pressure washdown, Eclipse sensors and electronics are fully sealed to eliminate hazard threat and corrosion problems.
6. **Extremely compact, rugged enclosure** integrates position sensors, communication, electronics, and power outputs for solenoids.
7. **All mechanical parts** are made of polycarbonate or stainless steel for corrosion resistance and durability.



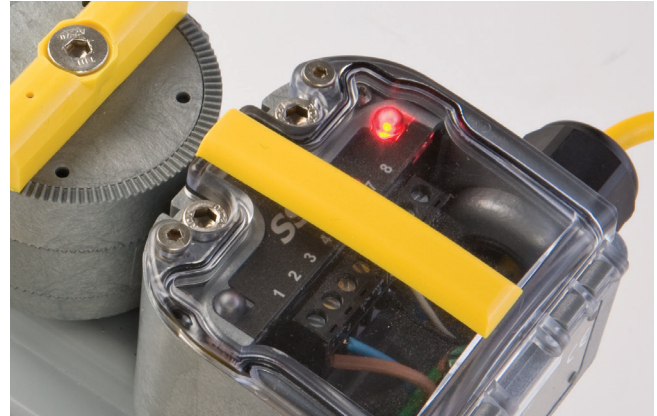
Triggering and visual indicator

Red and green visual indication is viewable from 360 degrees around the automated valve and from above at distances up to 70 feet. The yellow flow line indicator is also available, which is viewable from all angles at a distance up to 30 feet.

The solid state inductive sensors are activated by stainless steel targets embedded into the visual indicator drum. Open and closed targets may be independently adjusted in 3.5 degree increments.



Red/green option



Flow line option

Specifications

Materials of construction

Housing	Lexan® polycarbonate
Drum components	Lexan® polycarbonate
Fasteners	Stainless steel
Triggers and coupling	Stainless steel
Quick connectors	Stainless steel
Operating life	Unlimited
Temperature range	-40° C to 80° C (-40° F to 176° F)

Warranty

Dual modules	Five years
Mechanical components	Two years

Ratings

Nonincendive (Class I and II, Div. 2)	EN models*
Intrinsically safe (Ex ia, Zone 0 or Class I and II, Div. 1)	EN44*

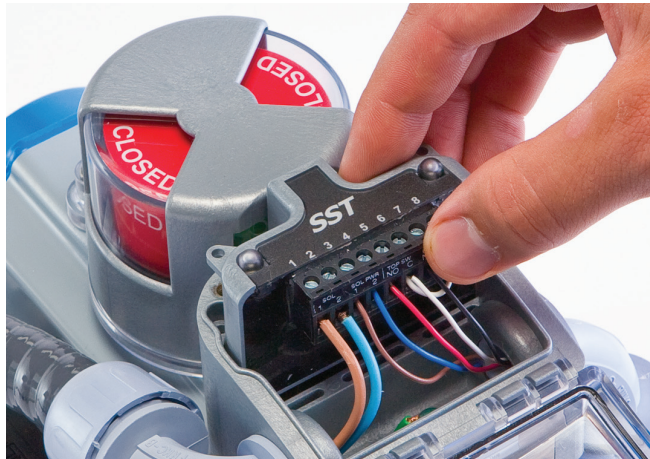
Enclosure protection

Type 4, 4X and 6	All models
Ingress Protection 67	All models
Approvals*	See manufacturer's website

* Only models listed on Valmet official website are approved per specific rating.

Sensing and communication

The Eclipse offers incredible value and space efficiency. Communications, position sensing, power outputs, and auxiliary inputs are sealed in the function module. Select from NAMUR sensors, SST switching, or AS-Interface, or DeviceNet™ communication terminals. All are fully solid state and sealed.



EN features a removable, fully sealed dual module to facilitate quick, convenient maintenance and wiring.

Switching and sensor specifications	
SST switching sensors (33, 34)	
Configuration	(2) SST solid state sensors (2) Wire terminations for one solenoid
Operation	Select either NO (33) or NC (34) models
Maximum current inrush	1.0 amps @ 125 VAC/VDC
Maximum current continuous	0.1 amps @ 125 VAC/VDC
Minimum on current	2.0 mA
Maximum leakage current	0.5 mA
Voltage range	24 - 125 VAC 8 - 125 VDC
Maximum voltage drop	6.5 volts @ 10 mA 7.5 volts @ 100 mA
Wiring diagram (33 & 34)	

NAMUR sensors (44)	
Configuration	(2) NAMUR sensors (EN 60947-5-6; I.S.) (2) Wire terminations for one solenoid
Operation	Normally closed NAMUR sensors (solid state)
Voltage range	5 - 25 VDC
Current ratings	Target on I<1 mA Target off I>3 mA
Wiring diagram (44)	

Valve Communication Terminal (VCT) specifications	
AS-Interface (96)	
Configuration	(2) Discrete sensor inputs (2) Auxiliary discrete inputs (2) Power outputs (solenoids)
Maximum current	160 mA, both outputs combined
Auxiliary inputs	24 VDC @ 2 mA (self-powered)
Output	4 watts @ 24 VDC both outputs combined
Outputs, voltage	21 - 26 VDC
Configuration code	ID=F, IO=4; user defined (4DI/2DO)
AS-i version	3.0
Devices per network	31
Wiring diagram (96)	

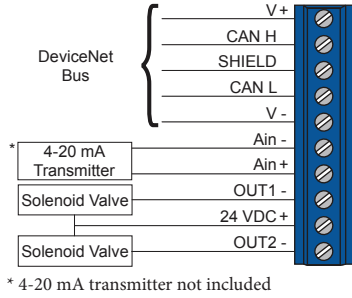
AS-Interface VCT with extended addressing (97)	
Configuration	(2) Discrete sensor inputs (2) Auxiliary discrete inputs (1) Power output (solenoid)
Maximum current	100 mA
Auxiliary inputs	24 VDC @ 2 mA (self-powered)
Output	2 watts @ 24 VDC
Outputs, voltage	21 - 26 VDC
Configuration code	ID=A, IO=4; user defined (4DI/1DO)
AS-i version	3.0
Devices per network	62
Wiring diagram (97)	

Valve Communication Terminal (VCT) specifications

DeviceNet™ (92)

Configuration	(2) Discrete inputs (open and closed) (2) Power outputs (solenoids) (1) 4-20 mA auxiliary analog input, 10-bit resolution; no additional power source required
Transmission rate	Software selectable 125K, 250K or 500K baud
Messaging	Polling, cyclic and change of state
Outputs	4 watts @ 24 VDC outputs combined
Outputs, voltage	24 VDC (with input voltage ranging from 10 - 24 VDC)
Other features	Predetermined output fail state

Wiring diagram (92)



* 4-20 mA transmitter not included

Eclipse visual indicator designations

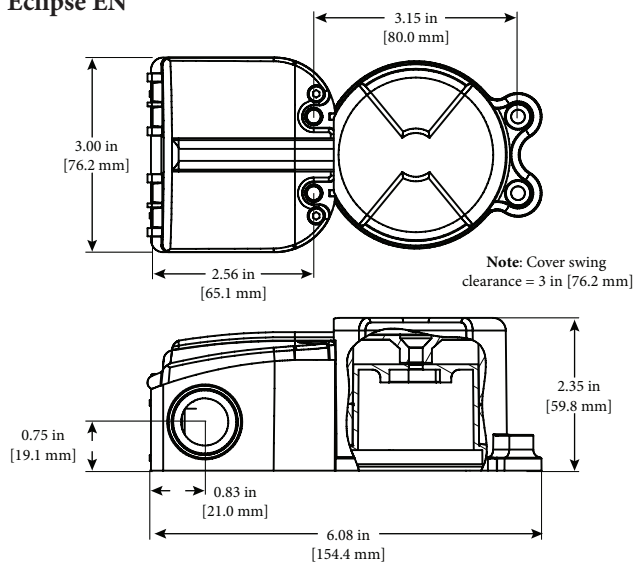
DESIGNATION	0°	90°
R	RED CLOSED	GREEN OPEN
G	GREEN CLOSED	RED OPEN
F		
1		
2		
X	Specialty configuration - please consult factory	

Model selector	
SERIES	
EN	Nonincendive or intrinsically safe
FUNCTIONS	
Sensor/switching dual modules	
33	(2) SST NO sensors
34	(2) SST NC sensors
Intrinsically safe dual module	
44	(2) NAMUR sensors (EN 60947-5-6; I.S.) [available with conduit/connector option 02]
Valve Communication Terminals (VCT)	
92	DeviceNet™
96	AS-Interface
97	AS-Interface with extended addressing
ENCLOSURE	
C	North American (NEC/CEC)
D	International (IEC)
L	Russian
CONDUIT/CONNECTORS [consult factory for additional quick connector options]	
02	(2) ½" NPT conduit entry
05	(2) M20 conduit entry
11	(1) 5-pin mini-connector
12	(1) 5-pin mini and (1) 3-pin-connector
VISUAL INDICATOR [see chart on page 5]	
RA	Red closed/green open
FA	Flow line
1A	T-1 three-way (90° rotation)
2A	T-2 three-way (90° rotation)
XA	Special
Model number example	
EN 44 D 02 RA -	OPTIONAL
MODEL NUMBER	PARTNERSHIP ID
Mounting hardware required and sold separately.	Some models may include 5-digit identification suffix.

Model selector	
SERIES	
EG	General purpose
FUNCTIONS	
Sensor/switching dual modules	
33	(2) SST NO sensors [available with connector options 23 or 26]
34	(2) SST NC sensors [available with connector options 23 or 26]
Intrinsically safe dual module	
44	(2) NAMUR sensors (EN 60947-5-6) [available with connector option 23]
Valve Communication Terminals (VCT)	
92	DeviceNet™ [available with connector options 25 or 26]
96	AS-Interface [available with connector options 23 or 24]
97	AS-Interface with extended addressing [available with connector options 23 or 24]
ENCLOSURE	
C	General purpose, universal
CONDUIT/CONNECTORS	
23	(1) 4-pin micro-connector
24	(2) 4-pin micro-connectors
25	(1) 5-pin micro-connector
26	(1) 5-pin and (1) 4-pin-micro-connector
VISUAL INDICATOR [see chart on page 5]	
RA	Red closed/green open
FA	Flow line
1A	T-1 three-way (90° rotation)
2A	T-2 three-way (90° rotation)
XA	Special
Model number example	
EG 96 C 24 FA -	OPTIONAL
MODEL NUMBER	PARTNERSHIP ID
Mounting hardware required and sold separately.	Some models may include 5-digit identification suffix.

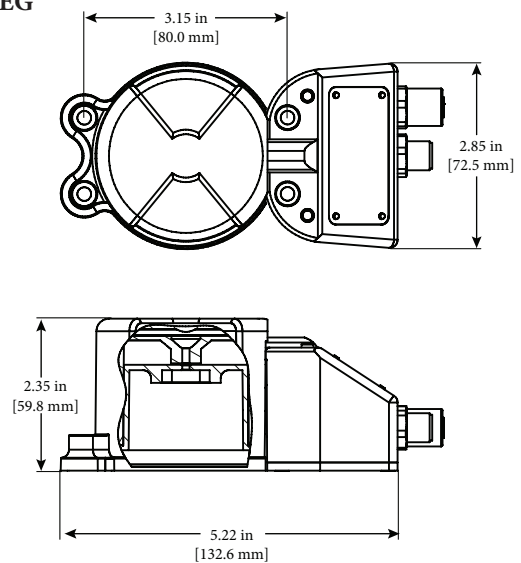
Dimensions

Eclipse EN



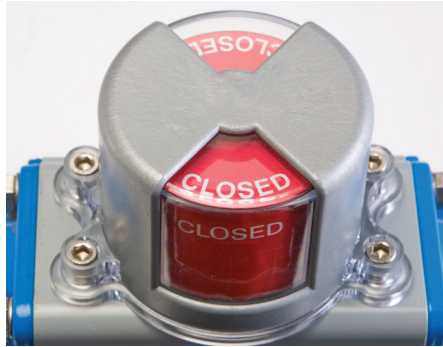
Dimensions

Eclipse EG



Stand alone visual indicator

Clearly view valve position status from up to 75 feet with our stand alone visual indicator. The indicator's rugged Lexan® construction makes it resistant to physical damage and tolerant to most corrosives.



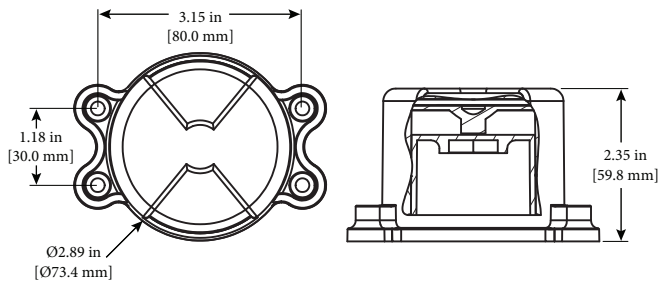
Model selector	
SERIES	
VI	Visual indicator
VISUAL INDICATOR	
R	Red closed/green open
1	Three-way
2	Three-way
X	Special
Model number example	
VI	R - OPTIONAL
MODEL NUMBER	PARTNERSHIP ID*
Mounting hardware required and sold separately.	Some models may include 5-digit identification suffix.

Visual indicator designations

DESIGNATION	0°	90°
R	RED CLOSED	GREEN OPEN
G	GREEN CLOSED	RED OPEN
1	A ←→ B C	A ← B C
2	A ← B C	A → B C
X	Specialty configuration - please consult factory	

Dimensions

Visual Indicator VI



Valmet Flow Control Inc.

Stonel product center

26271 US Hwy 59, Fergus Falls, MN 56537 USA .

Tel. +1 218 739 5774.

sales.stonel@valmet.com

valmet.com/flowcontrol

Subject to change without prior notice.

Neles, Neles Easyflow, Jamesbury, Stonel, Valvcon and Flowrox, and certain other trademarks, are either registered trademarks or trademarks of Valmet Oyj or its subsidiaries in the United States and/or in other countries.

For more information www.neles.com/trademarks

