

Jamesbury™ tank car ball valves

Series 7RRR & 7RRT, 3" (DN 80)
Fire-Tite™ top-loading and unloading valves

Installation, maintenance and
operating instructions

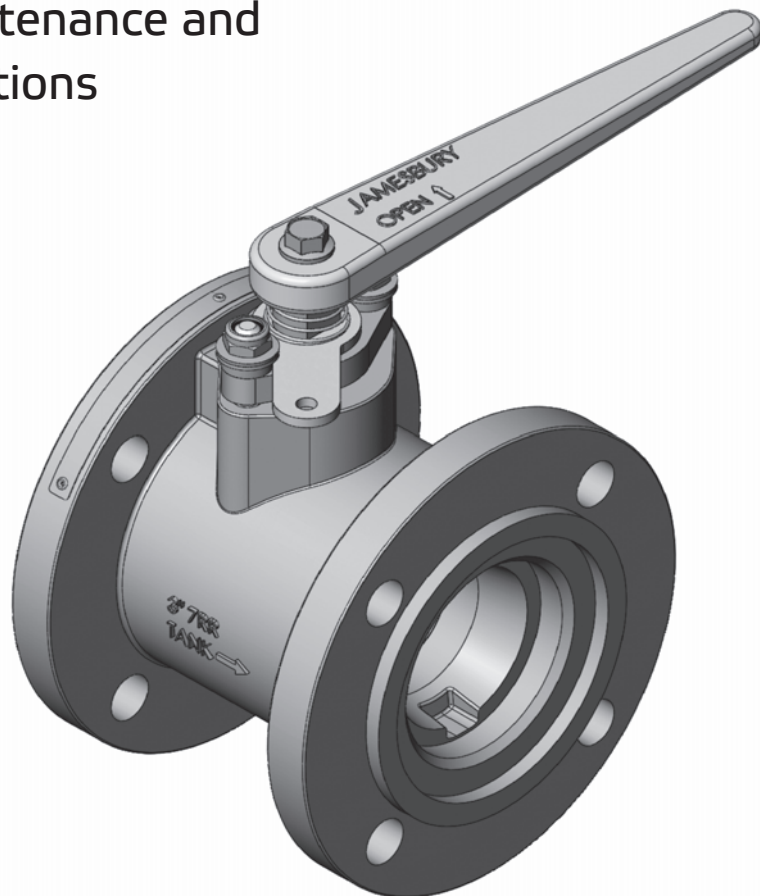


Table of contents

GENERAL	3	SERVICE KITS	8
Scope of the Manual	3	SERVICE/SPARE PARTS	8
Valve Markings	3	EXPLODED VIEW & PARTS LIST	9
Safety Precautions	3	HOW TO ORDER	11
TRANSPORTATION AND STORAGE	4		
INSTALLATION	4		
General	4		
Handles	4		
Installing on tank car	4		
Commissioning	4		
MAINTENANCE	4		
General	4		
Disassembly	5		
Checking Parts	6		
Assembly	6		
Testing the Valve	7		

READ THESE INSTRUCTIONS FIRST!

These instructions provide information about safe handling and operation of the valve.

If you require additional assistance, please contact the manufacturer or manufacturer's representative.

SAVE THESE INSTRUCTIONS!

Addresses and phone numbers are printed on the back cover.

1. GENERAL

1.1 SCOPE OF THE MANUAL

This instruction manual contains important information regarding the installation, operation and troubleshooting of the Jamesbury™ 3" (DN 80) 7RRR and 7RRT Tank Car *Fire-Tite* Top-Loading and Unloading Valves. Please read these instructions carefully and save them for future reference.

WARNING:

AS THE USE OF THE VALVE IS APPLICATION SPECIFIC, A NUMBER OF FACTORS SHOULD BE TAKEN INTO ACCOUNT WHEN SELECTING A VALVE FOR A GIVEN APPLICATION. THEREFORE, SOME OF THE APPLICATIONS IN WHICH THE VALVES ARE USED ARE OUTSIDE THE SCOPE OF THIS MANUAL.

IF YOU HAVE ANY QUESTIONS CONCERNING THE USE, APPLICATION OR COMPATIBILITY OF THE VALVE WITH THE INTENDED SERVICE, CONTACT VALMET FOR MORE INFORMATION.

1.2 VALVE MARKINGS

The valve has an identification plate (19) attached to the flange (see Figure 1).

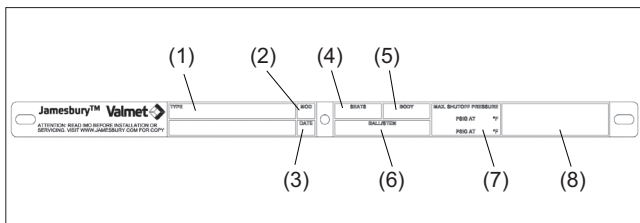


Figure 1. Identification plate

Identification plate markings:

1. Valve catalog code
2. Model
3. Assembly date
4. Seat Material
5. Body Material
6. Ball/Stem material
7. Maximum/minimum shut-off pressure/temperature
8. Approvals/Special Service marking

1.3 SAFETY PRECAUTIONS

WARNING:

DO NOT EXCEED THE VALVE PERFORMANCE LIMITATIONS!

EXCEEDING THE PRESSURE OR TEMPERATURE LIMITATIONS MARKED ON THE VALVE IDENTIFICATION PLATE MAY CAUSE DAMAGE AND LEAD TO UNCONTROLLED PRESSURE RELEASE. DAMAGE OR PERSONAL INJURY MAY RESULT.

WARNING:

SEAT AND BODY RATINGS!

THE PRACTICAL AND SAFE USE OF THIS PRODUCT IS DETERMINED BY BOTH THE SEAT AND BODY RATINGS. READ THE IDENTIFICATION PLATE AND CHECK BOTH RATINGS. THIS PRODUCT IS AVAILABLE WITH A VARIETY OF SEAT MATERIALS. SOME OF THE SEAT MATERIALS HAVE PRESSURE RATINGS THAT ARE LESS THAN THE BODY RATINGS. ALL OF THE BODY AND SEAT RATINGS ARE DEPENDENT ON VALVE TYPE AND SIZE, SEAT MATERIAL, AND TEMPERATURE. DO NOT EXCEED THESE RATINGS!

WARNING:

BEWARE OF BALL MOVEMENT!

KEEP HANDS, OTHER PARTS OF THE BODY, TOOLS AND OTHER OBJECTS OUT OF THE OPEN FLOW PORT. LEAVE NO FOREIGN OBJECTS INSIDE THE TANK CAR. WHEN THE VALVE IS ACTUATED, THE BALL FUNCTIONS AS A CUTTING DEVICE. FAILURE TO DO THIS MAY RESULT IN DAMAGE OR PERSONAL INJURY!

WARNING:

WHEN HANDLING THE VALVE TAKE ITS WEIGHT INTO ACCOUNT!

REFERENCE THE APPLICABLE TECHNICAL BULLETIN FOR VALVE WEIGHTS.

IF NECESSARY, PLACE LIFTING DEVICES SECURELY AROUND THE VALVE BODY. FAILURE TO FOLLOW THESE INSTRUCTIONS MAY RESULT IN DAMAGE OR PERSONAL INJURY FROM FALLING PARTS.

2. TRANSPORTATION AND STORAGE

Check the valve and the accompanying devices for any damage that may have occurred during transport.

Store the valve carefully. Storage indoors in a dry place is recommended.

Do not remove the protective packaging or flow port protectors until installing the valve.

Move the valve to its intended location just before installation.

The valve is usually delivered in the open position.

If the valve(s) will be stored for a long period, follow the recommendations given in IMO-S1 to maintain the valve integrity.

3. INSTALLATION

3.1 GENERAL

Remove the protective packaging and flow port protectors and check that the valve is clean inside. Clean valve if necessary.

Flush the tank car carefully before installing the valve. Foreign objects, such as sand or pieces of welding electrodes, will damage the ball and seats.

Read and follow all **WARNINGS!**

WARNING:

SERIES 7RRR AND 7RRT VALVES ARE DESIGNED FOR MANUAL USE ONLY AND ARE NOT INTENDED FOR AUTOMATION! DO NOT FABRICATE OR ADD ON ANY TYPE OF AUTOMATING ACCESSORY.

The *Jamesbury* Series 7RRR and 7RRT are an end entry design with an internal insert. The insert contains a slot drive which can be identified by looking into the end of the valve before installation.

3.2 HANDLES

If the Series 7RRR or 7RRT valve handle (31) has to be removed for any reason, the handle must be remounted with the handle as shown in **Figure 9**.

WARNING:

FAILURE TO PROPERLY MOUNT THE HANDLE MAY RESULT IN IMPROPER VALVE OPERATION, DAMAGE OR PERSONAL INJURY.

3.3 INSTALLING ON TANK CAR

WARNING:

THE VALVE SHOULD BE TIGHTENED ON FLANGES USING APPROPRIATE GASKETS AND FASTENERS COMPATIBLE WITH THE APPLICATION, AND IN COMPLIANCE WITH APPLICABLE PIPING CODES AND STANDARDS. CENTER THE FLANGE GASKETS CAREFULLY WHEN FITTING THE VALVE BETWEEN FLANGES. DO NOT ATTEMPT TO CORRECT MISALIGNMENT BY MEANS OF FLANGE BOLTING!

The valve may be installed in any position and offers tightness in both directions. It is recommended, however, that the valve be installed with the insert (2) towards the tank car.

Refer to the **Section 4, MAINTENANCE** for packing adjustment. If there is weepage past the packing upon installation, it means the valve may have been subject to wide temperature variations in shipment. Leak-tight performance will be restored by a simple packing adjustment described in the **MAINTENANCE** section.

3.4 COMMISSIONING

Ensure that there is no dirt or foreign objects left inside the valve or tank car. Flush the tank car carefully. Make sure that the valve is fully open when flushing.

Ensure that all nuts and fittings are properly fastened.

WARNING:

GOOD PRACTICE DICTATES THAT ONCE INSTALLED, BUT PRIOR TO FIRST USE, THE VALVE IS LEAK TESTED IN PLACE TO ASSURE LEAK-TIGHTNESS HAS NOT BEEN COMPROMISED BY THE INSTALLATION PROCESS. INSTALLATION ACTIONS THAT CAN CAUSE LEAKAGE INCLUDE, BUT ARE NOT LIMITED TO; WRENCHING, SOLDERING, WELDING AND/OR HOISTING. SEE SECTION 4.5

4. MAINTENANCE

4.1 GENERAL

Good operating procedure requires periodic observation to ensure that the valve is functioning well. The frequency of observation will depend on the application. Routine maintenance consists of tightening the bonnet stud nuts (item 18 in **Figure 9**) periodically to compensate for stem seal wear. More frequent observation is recommended under extreme operating conditions.

Overhaul maintenance consists of replacing seats and seals. A standard service kit consisting of these parts may be obtained through your authorized Valmet Distributor.

NOTE: Service kits include stem bearings (70), secondary stem seal (71), seats (7), body seal (65) and stem seals (69). Refer to the Service Kit chart (see **Table 2**).

WARNING:

FOR YOUR SAFETY IT IS IMPORTANT THE FOLLOWING PRECAUTIONS BE TAKEN PRIOR TO INSTALLATION, SERVICING OR REMOVAL OF THE VALVE FROM THE TANK CAR OR BEFORE ANY DISASSEMBLY:

1. WEAR ANY PROTECTIVE CLOTHING OR EQUIPMENT NORMALLY REQUIRED WHEN WORKING WITH THE FLUID INVOLVED.
2. DEPRESSURIZE THE TANK CAR AND CYCLE THE VALVE AS FOLLOWS:
 - A. PLACE THE VALVE IN THE OPEN POSITION AND DRAIN THE TANK CAR.
 - B. CYCLE THE VALVE TO RELIEVE RESIDUAL PRESSURE IN THE BODY CAVITY BEFORE REMOVAL FROM THE TANK CAR.
 - C. AFTER REMOVAL AND BEFORE ANY DISASSEMBLY, CYCLE THE VALVE AGAIN SEVERAL TIMES.
3. THESE VALVES ARE SUITABLE FOR A WIDE VARIETY OF FLUIDS AND GASES. BE CERTAIN THAT THE VALVE MATERIALS SELECTED ARE SUITABLE FOR THE APPLICATION.

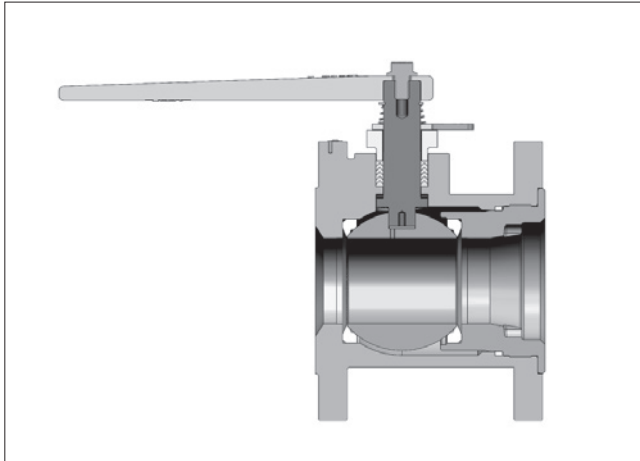


Figure 2.

4.2 DISASSEMBLY

1. Comply fully with **ALL WARNINGS** prior to working on the valve.
2. Open and close the valve and leave in the half open position.
3. Remove the handle screw (35), and handle (31).
4. Remove retaining ring (34), spring (33), and indicator stop (32).
5. Remove stud nuts (18), disc springs (17), stop bushings (39), and compression plate (10).
6. Close the valve.
7. Clamp the valve body (1) securely in a vise in the vertical position with the insert end up, taking care not to damage any valve sealing surfaces.

8. Unscrew and remove insert (2). The insert design requires that the insert be unscrewed in a counterclockwise motion. An insert field wrench is available for purchase to remove the valve insert and shown in **Figure 8**, which may be ordered as MA0026426 from your local Valmet Distributor.

NOTE: Use caution when loosening the insert, especially during the initial break.

NOTE: If complete disassembly becomes necessary; it is recommended to replace all seats and seals. Refer to the Service Kit chart (see **Table 2**).

NOTE: Always use original OEM parts to make sure that the valve functions properly.

9. If using the insert field wrench, assemble the insert field wrench as follows (refer to **Figure 8**):
 - a. Place driver (A) into the insert slots.
 - b. Put the plate (C) on top of the driver (A).
 - c. Place the studs (E) through the plate (C) and flange holes. Thread the nuts (F) onto the stud below the flange.
 - d. On the top side of the plate (C) put a flat washer (G), die spring (H), flat washer (G) and nut (F). Tighten to slightly compress the springs.
10. Place a pipe or rod that will tightly fit through the hole in the driver (A) and loosen the insert by turning counterclockwise.

NOTE: Use caution when loosening the insert, especially during the initial break. Ensure the pipe or rod is of sufficient strength so as not yield or break during the loosening operation.

11. Remove the tool and lift out the insert.
12. Remove and discard the old body seal (65). **BE CAREFUL NOT TO DAMAGE THE SEALING SURFACES.**
13. With the ball in the closed position, remove ball (3) and seats (7). **NOTE:** A piece of wood or other soft material may be used to unseat the parts from the opposite side by gently tapping the ball from the end opposite the insert. **BE CAREFUL NOT TO DAMAGE THE BALL OR SEATING SURFACES IN THE BODY.**
14. Push the stem (5) into the body (1) and remove it through the insert side of the valve. It may be necessary to tap it with a piece of wood or some other soft material. **BE CAREFUL NOT TO DAMAGE THE STEM OR BODY SEALING SURFACES.**
15. Carefully remove and discard the packing V-Ring set (69) and stem bearings (70) and secondary stem seal (71). **BE CAREFUL NOT TO DAMAGE THE SEALING SURFACES.**

WARNING:

DAMAGING SEALING SURFACES WILL NEGATIVELY AFFECT VALVE SEALABILITY AND PERFORMANCE.

4.3 CHECKING PARTS

NOTE: For detailed instructions on visual inspection of critical components, refer to IMO-R26.

1. Clean all disassembled parts.
2. Check the stem (5) and ball (3) for damage. Pay particular attention to the sealing areas.
3. Check all sealing and gasket surfaces of the body (1) and insert (2).
4. Replace any damaged parts.
5. **NOTE:** When ordering spare parts not included in the standard service kits listed in **Table 2**, always include the following information:
 - a. Valve catalog code from Identification plate,
 - b. The serial number (stamped on the valve Identification plate),
 - c. From **Figure 9**, the ballooned part number, part name and quantity required.

4.4 ASSEMBLY

Refer to standard service kit shown in **Table 2** for replacement seats and seals. Apply a good lubricant compatible with the flow medium lightly to insert (2) and bonnet stud (14) threads to facilitate assembly.

1. Clean all valve parts, if not previously cleaned.
2. Inspect the parts to ensure sealing surfaces are in good condition and all parts are properly cleaned and prepared for assembly. Look for damage to the seating areas, body and insert. Check stem finish in the sealing area. If there are marks, use 600 or greater grit sand paper and polish circumferentially not up and down. Replace any damaged parts.
3. Clamp the valve body (1) securely in a vise in the vertical position with the insert end up, taking care not to damage any valve sealing surfaces.
4. Place one valve seat (7) sidewise into the body cavity (1) to just below the stem hole and tilt it into place so that the proper face will come in contact with the ball (3) (see **Figure 3**).

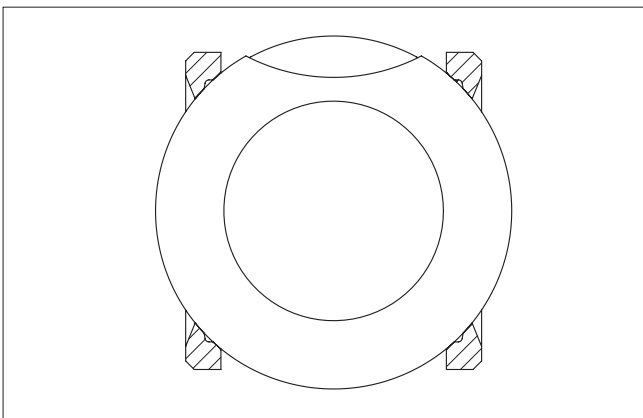


Figure 3. Seats should be in this position at Assembly.

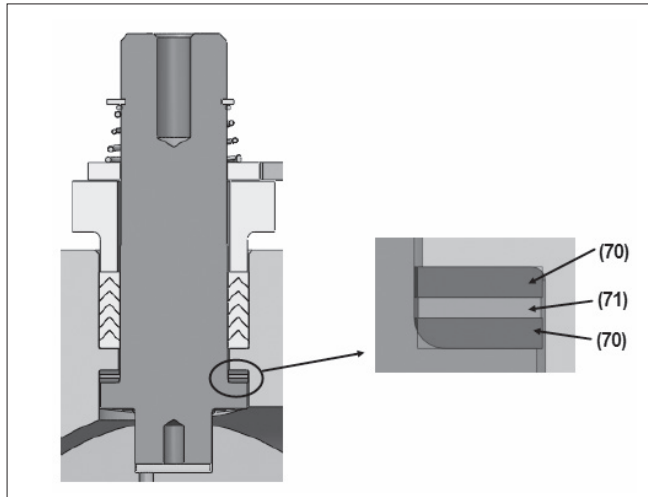


Figure 4.

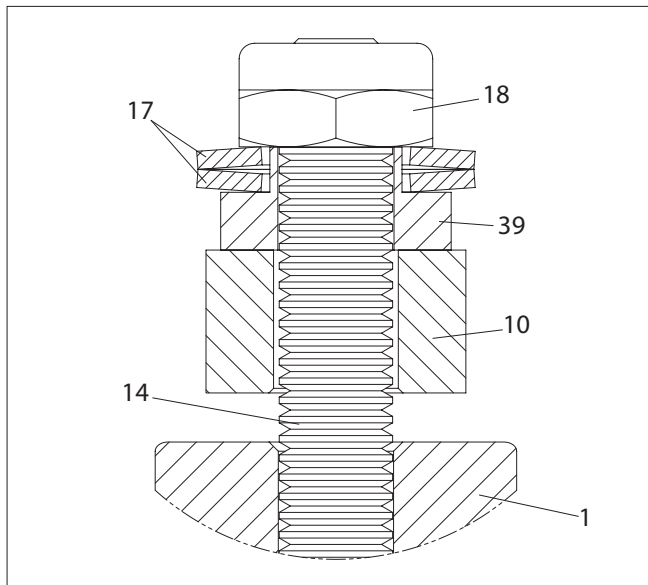


Figure 5.

5. Place the stem bearings (70) and secondary stem seal (71) on the stem (5) shown in **Figure 4**.
6. Insert the stem (5) with the bearings into the valve body and through the stem bore in the body, as shown in (**Figure 2**). Press it gently up into the stem bore until resistance is felt from the lower stem bearing. Be careful not to scratch or damage the seals.
7. Holding the stem in place from the inside, install the packing v-ring set (69) and the compression plate (10) over the end of the stem protruding out of the body stem bore and over the studs (14) the as shown in **Figure 9**.
8. Install the indicator stop (32) so the flat on the internal diameter of the indicator stop matches with the flat on the stem (5), and the long end towards the insert end of the body as shown in **Figure 9**. Install the spring (33) over the stem (5) with the large diameter of the spring touching the indicator stop (5). Install retaining ring (34) over stem (5) locating the retaining ring in the groove in the stem and compressing the spring.

9. Place the stop bushings (39) and disc springs (17) over the studs (14) as shown in **Figure 5**. Disc spring and stop bushing orientation shall be as shown in **Figure 5** and **9**.
10. Place the stud nuts (18) on the studs (14).
11. While pressing the stem (5) outward from inside the body, tighten stud nuts (18) to the torque shown in **(Table 1)**. Apply torque evenly, alternating between the two nuts so that the compression plate will be parallel with the valve body. Rotate the stem gently to assure proper seating.
12. Make sure there is no dirt and grit in the insert (2) threads. Apply a lubricant compatible with the flowing media to the threads and screw the insert (2) into the body (1) by hand until it is fully seated. Mark the position as shown in **(Figure 6)**. Counting the number of turns, remove the insert.

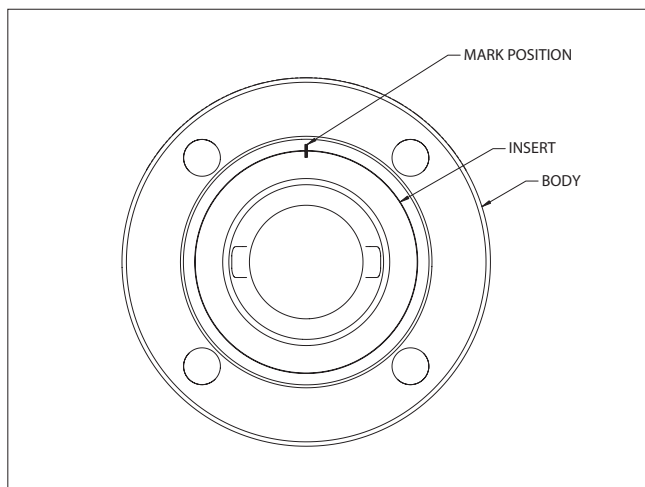


Figure 6.

13. Align the stem (5) to the ball slot. Insert the ball (3) rotating it onto the stem (4) in the closed position. If necessary turn the stem blade to align with the ball slot.
14. Insert the second seat (7) with the seat sealing surface towards the ball. (See **Figure 3**).
15. Insert the body seal (65) onto the insert (2).
16. Make sure there is no dirt and grit in the insert (2) threads. Using a thread lubricant compatible with the media, screw the insert (2) into the body (1) and tighten the insert. The insert field wrench (shown in **Figure 8**) maybe used. If the field wrench is used to thread the insert into the body, follow insert field wrench assembly instructions found in **DISASSEMBLY** Step 9 of this IMO. The insert must be tightened the same number of turns as in step 12, insuring that the marks are either lined up or insert mark is $\pm 1/8$ " either side of the body mark, as shown in **Figure 7**.

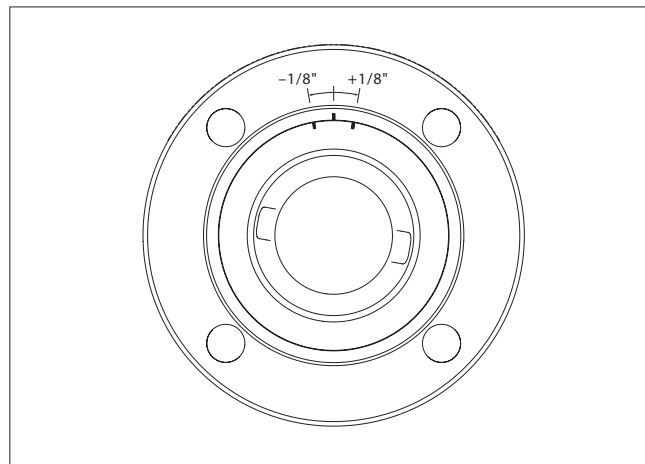


Figure 7.

17. Install handle (31) on the stem (5), matching flats on the stem and handle. The handle should be in the orientation as shown in **Figure 2**. Thread handle screw
18. (35) through the handle into the stem and tighten. Cycle the valve slowly with a gentle back and forth motion to build gradually to the full quarter turn. A fast turning motion at this point may cut the seats before they have a chance to form the proper seal.

4.5 TESTING THE VALVE

WARNING:

WHEN PRESSURE TESTING, EXERCISE CAUTION AND MAKE SURE ALL EQUIPMENT USED IS IN GOOD WORKING CONDITION AND APPROPRIATE FOR THE INTENDED PRESSURE.

If the valve is to be tested prior to returning to service make sure the test pressures are in accordance with an applicable standard.

When testing the valve for external tightness, keep the ball in the half open position.

If testing the valve seat tightness, please contact Valmet for advice.

WARNING:

WHEN PERFORMING ANY TESTS, NEVER EXCEED THE MAXIMUM OPERATING PRESSURE OR MAXIMUM SHUT-OFF PRESSURE LISTED ON THE IDENTIFICATION PLATE!

5. SERVICE KITS

Service Kits contain one pair of seats, a body seal, stem and seals and a secondary stem seal. When ordering service kits for your 7RRR and 7RRT valve order follow **Table 2**. Refer to **Section 1.2, Valve Markings** and check area “3” on your valve’s identification plate to determine the correct seat material for your valve. Standard Service Kits (**Table 2**) include seats, seals, and stem bearings.

Table 1	
	3" (DN 80) 7RRR/7RRT
Stud Nut (18) Torque	100 IN•LBS (11.3 N•m)

Table 2	
Service Kits 3" (DN 80) 7RRR/7RRT	
Seat Material	Kit No.
XTREME® Seats	RKN-174XTZ
PTFE Seats	RKN-174TTT

6. SERVICE/SPARE PARTS

NOTE: When sending goods to the service center for repair, do not disassemble the valve. Clean the valve carefully and flush the valve internals. Include the material safety datasheet(s) (MSDS) for all media flowing through the valve. Valves sent to the service center without MSDS datasheet(s) will not be accepted. Send valves to the service center in the half open position.

For further information or assistance on repair kits and spare parts visit our website at www.valmet.com/valves/railroad-valves.

NOTE: When ordering spare parts, always include the following information:

- a. Valve catalog code from Identification plate,
- b. If the valve is serialized - the serial number (stamped on the valve body),
- c. From **Figure 9**, the ballooned part number, part name and quantity required.

7. EXPLODED VIEW & PARTS LIST

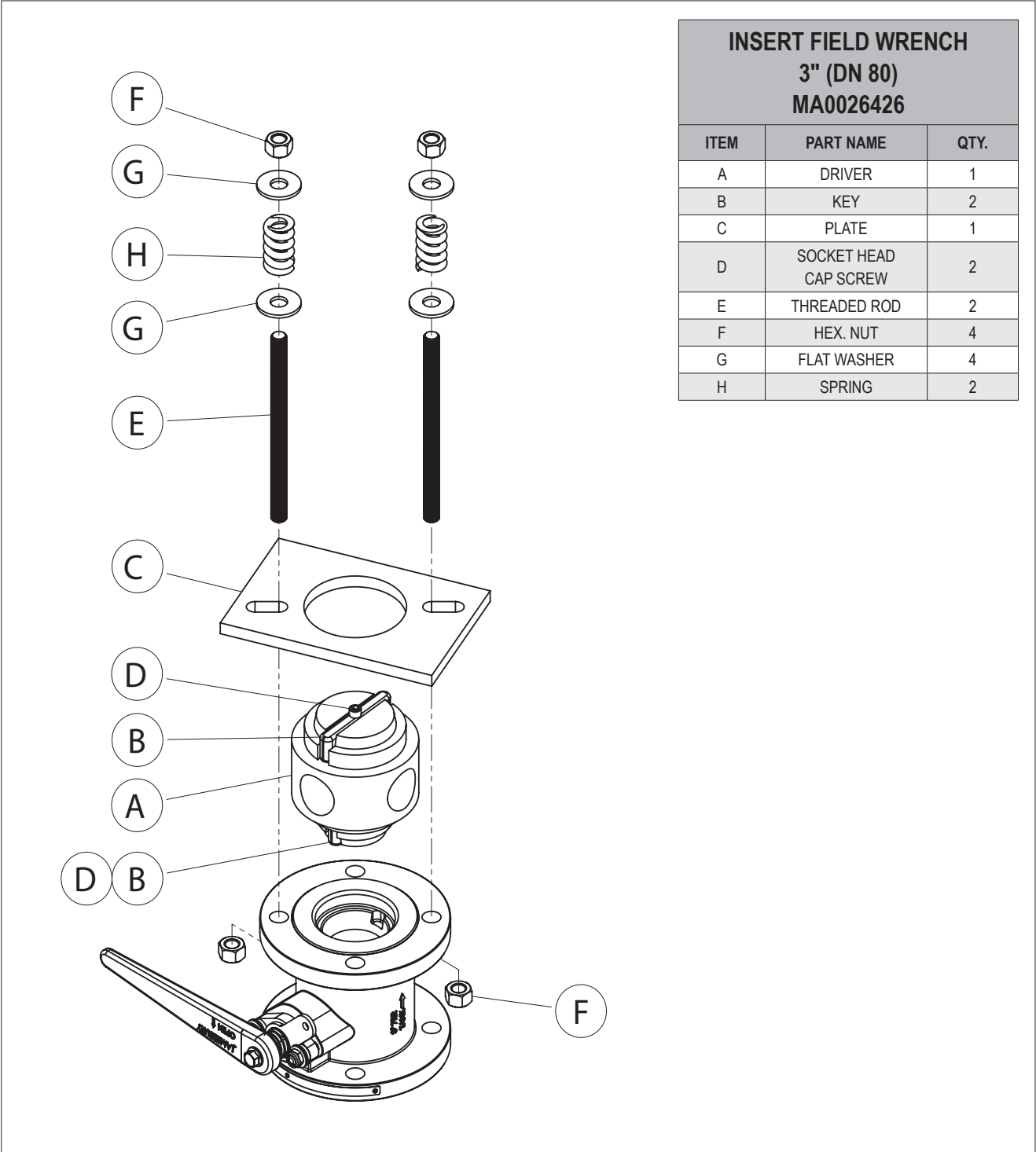


Figure 8.

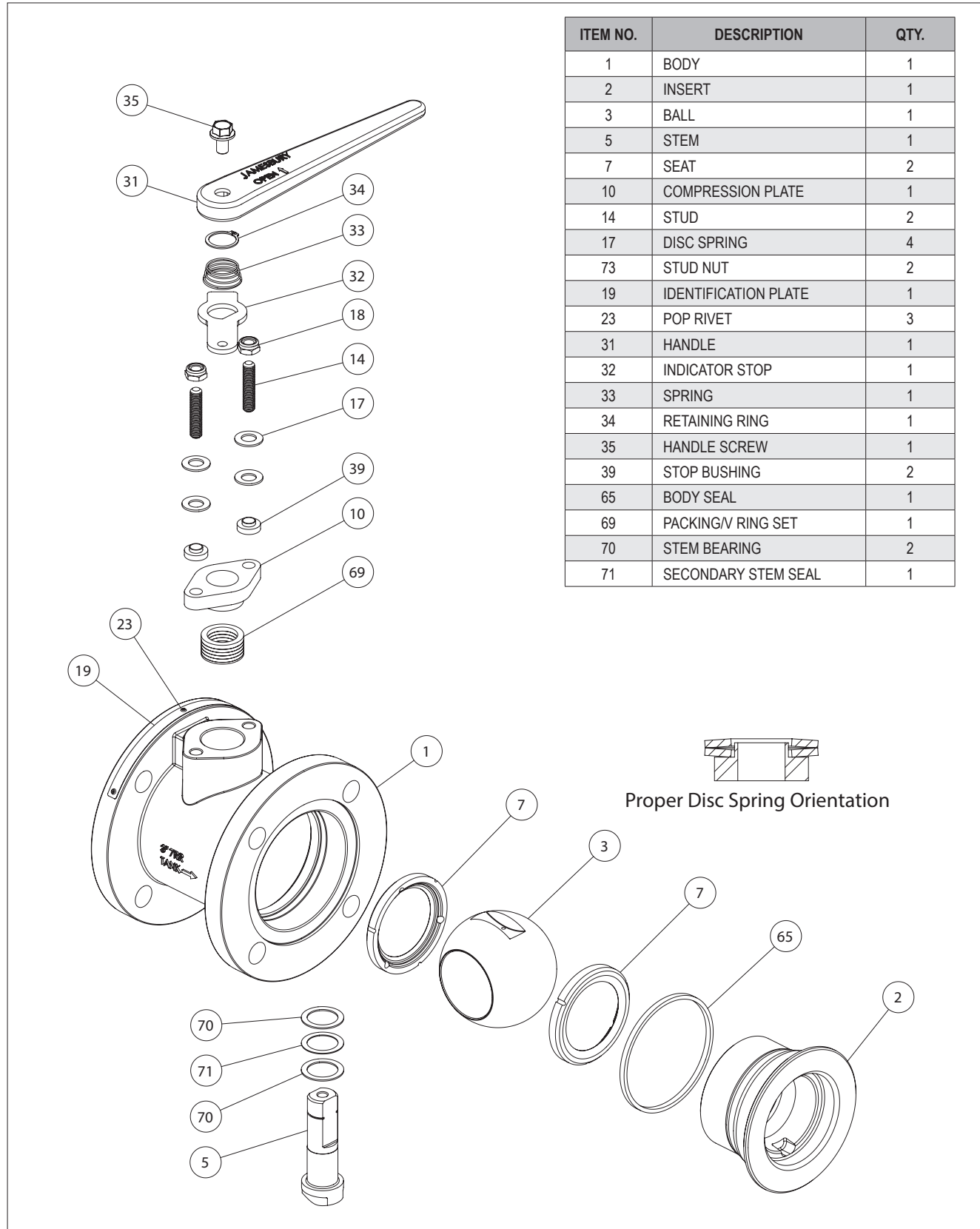


Figure 9.

8. HOW TO ORDER

EXAMPLE: 3" 7RRR valve with raised face, 316 stainless steel body and trim, *Xtreme* seats, stainless steel bolting.

1	2	3	4	5	6
3	7RRR	3600	XTZ	2	A

1	Valve Size
3	3"

2	Series
7RRR	ASME Raised face x ASME Raised Face
7RRT	ASME Raised face x ASME Tongue
7RRU	ASME Raised face x AAR Tongue (2" Only)

3	Valve Construction	
	Body and Body Cap	Ball and Stem
2235	Carbon Steel (WCB)	Alloy 20
2236	Carbon Steel (WCB)	Stainless Steel 316
3600	Stainless Steel 316 (CF8M)	Stainless Steel 316

4	Seat/Seal Materials	
	Seat	Seals (Stem & Body)
-	Standard <i>Fire-Tite</i>	
TTT	Virgin Teflon (PTFE)	Virgin Teflon (PTFE) & TFM or PTFE
XTZ	<i>Xtreme</i>	TFM & TFM or PTFE

5	Bolting Material	
	Bolts	Nuts
1	ASTM A193 Gr. B7	ASTMA194 Gr. 2H
2	ASTM A193 B8, B8C, B8M or B8T Class 2	ASTM A194 Gr. 8B, 8CB, 8MB, 8TB or 8FB

6	Model
A	Model A

Valmet Flow Control Oy

Vanha Porvoontie 229, 01380 Vantaa, Finland.

flowcontrol@valmet.com

Tel. +358 10 417 5000.

www.valmet.com/flowcontrol

Subject to change without prior notice.

Neles, Neles Easyflow, Jamesbury, Stonel, Valvcon and Flowrox, and certain other trademarks, are either registered trademarks or trademarks of Valmet Oyj or its subsidiaries in the United States and/or in other countries.

